

DATASHEET

Magnetically coupled pump

RM1.5 – 5/45

Motor output
120W 1-ph. and 3-ph.
2900 or 3450 rpm [2-pol.]




Magnetically coupled, centrifugal pumps, single-stage, horizontal, non self-priming, made in monobloc design.

		RM1.5 - 5/45
Motor output	[W]	120
Rated current @ 230V 50Hz 1ph.	[A]	1,61
Rated current @ 400V 50Hz 3ph.	[A]	0,41
Head max.	[mWS]	5
Capacity max.	[l/min.]	60
Density max. @ Qmax	[g/cm ³]	1,8

Materials:



Technical data

Medium-temperature max.	PP PVDF Stainless	80 °C 95 °C 100 °C	<div style="text-align: center;"> <h4>Flow curves RM1.5 - 5/45</h4> <p>Speed: 2900 U/min. @ 50Hz or 3450 U/min. @ 60Hz</p> <p>Values based on water at 20 °C (68 °F) / Measured value +/- 10%</p> <p>Subject to technical alterations !</p> </div>
System-pressure max.	PP PVDF Stainless	1,5 bar 2,5 bar 8,0 bar	
Viscosity	< 160 Pa s		
Elektrical motor	3-ph. motors, 50 and 60Hz, IE2, IE3 or IE4 Protection IP55, Isolationclass F , Chemical resistant 2K- painting RAL5011		
Optional	<i>Thermal protection, other voltages / frequencies, UL, CSA, Special paintings and colors</i> 		

DATASHEET
Magnetically coupled pump

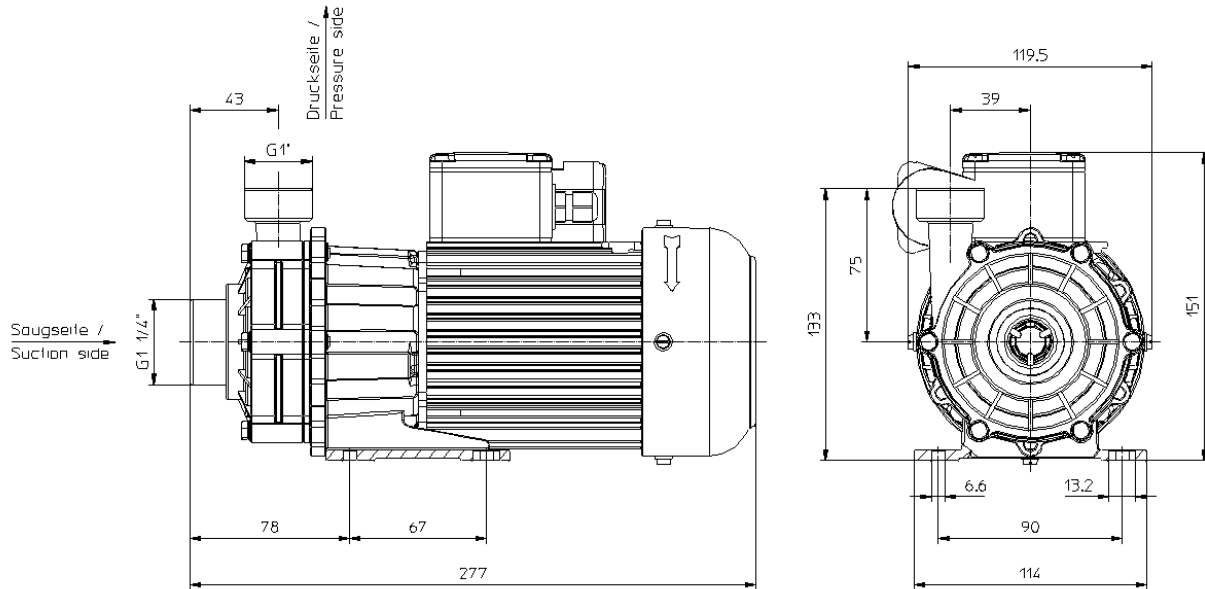
RM1.5 – 5/45

Motor output
 120W 1-ph. and 3-ph.
 2900 or 3450 rpm [2-pol.]

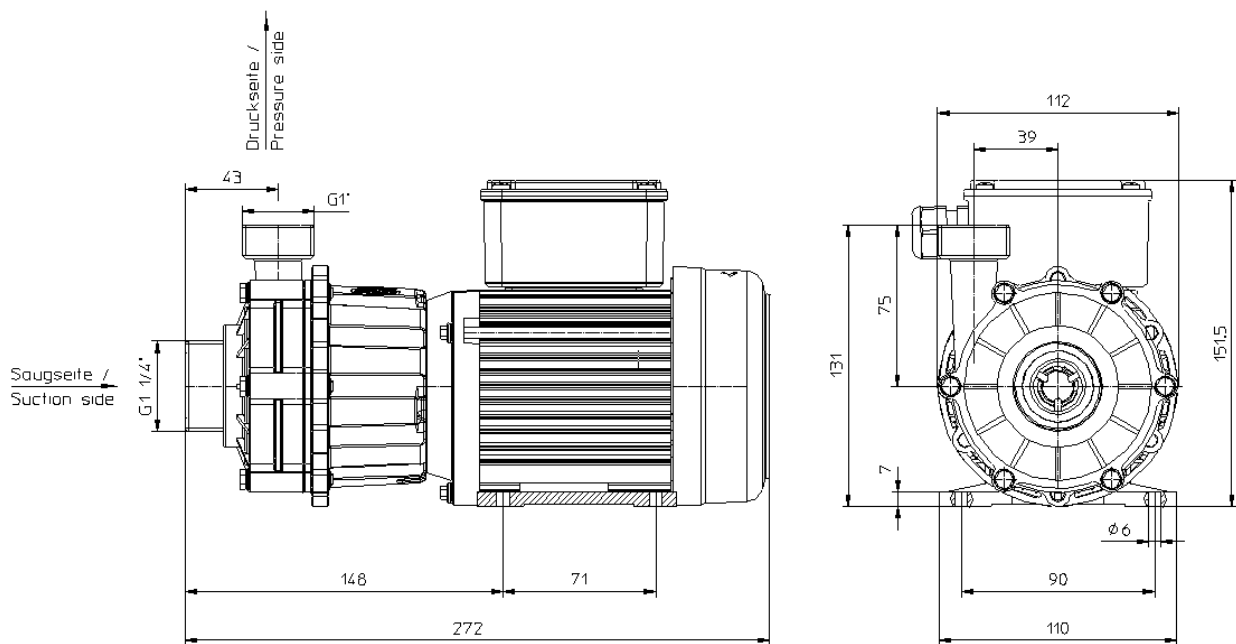


Dimensional drawings [mm]

Single-phase alternating current (1-ph.)



Three-phase alternating current (3-ph.)



Motor dimensions can be different ! • Subject to technical alterations !


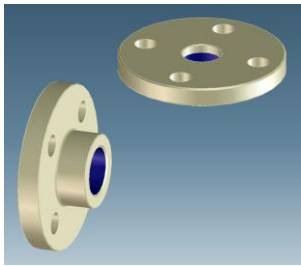
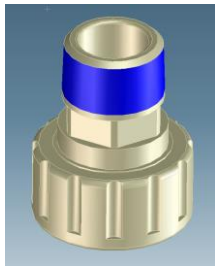
DATASHEET
Magnetically coupled pump

RM1.5 – 5/45

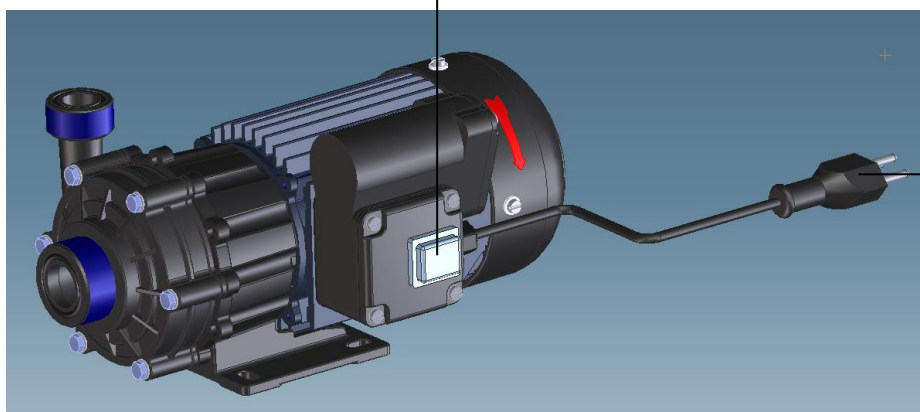
Motor output
 120W 1-ph. and 3-ph.
 2900 or 3450 rpm [2-pol.]



Accessories / Options

Hose connection	Flange (DIN, ANSI)	NPT - Adapter
 <p>13mm 18mm 21mm</p>	 <p>DN20 PN10 (DIN EN 1092-3) DN25 PN10 (DIN EN 1092-3) 0,75" (ANSI Class 150) 1" (ANSI Class 150)</p>	 <p>NPT (M) 1" NPT (M) 3/4"</p>

On-/Off - switch



3m cabel + plug connector

Subject to technical alterations !