

# DATASHEET

## Magnetically coupled pump

**RM1.5 – 7/55**

Motor output  
120W 1-ph. and 3-ph.  
2900 or 3450 rpm [2-pol.]




Magnetically coupled, centrifugal pumps, single-stage, horizontal, non self-priming, made in monobloc design.

		RM1.5 - 7/55
Motor output	[W]	<b>120</b>
Rated current @ 230V 50Hz 1ph.	[A]	1,61
Rated current @ 400V 50Hz 3ph.	[A]	0,41
Head max.	[mWS]	7
Capacity max.	[l/min.]	70
Density max. @ Qmax	[g/cm <sup>3</sup> ]	1,2

### Materials:



### Technical data

Medium-temperature max.	PP PVDF Stainless	80 °C 95 °C 100 °C	<div style="text-align: center;"> <h4>Flow curves RM1.5 - 7/55</h4> <p>Speed: 2900 rpm @ 50Hz or 3450 rpm @ 60Hz</p> <p>Values based on water at 20 °C (68 °F) / Measured value +/- 10%</p> </div>
System-pressure max.	PP PVDF Stainless	1,5 bar 2,5 bar 8,0 bar	
Viscosity	< 160 Pa s		
Elektrical motor	3-ph. motors, 50 and 60Hz, IE2, IE3 or IE4 Protection IP55, Isolationclass F , Chemical resistant 2K- painting RAL5011		
Optional	<i>Thermal protection, other voltages / frequencies, UL, CSA, Special paintings and colors</i> 		

# DATASHEET

## Magnetically coupled pump

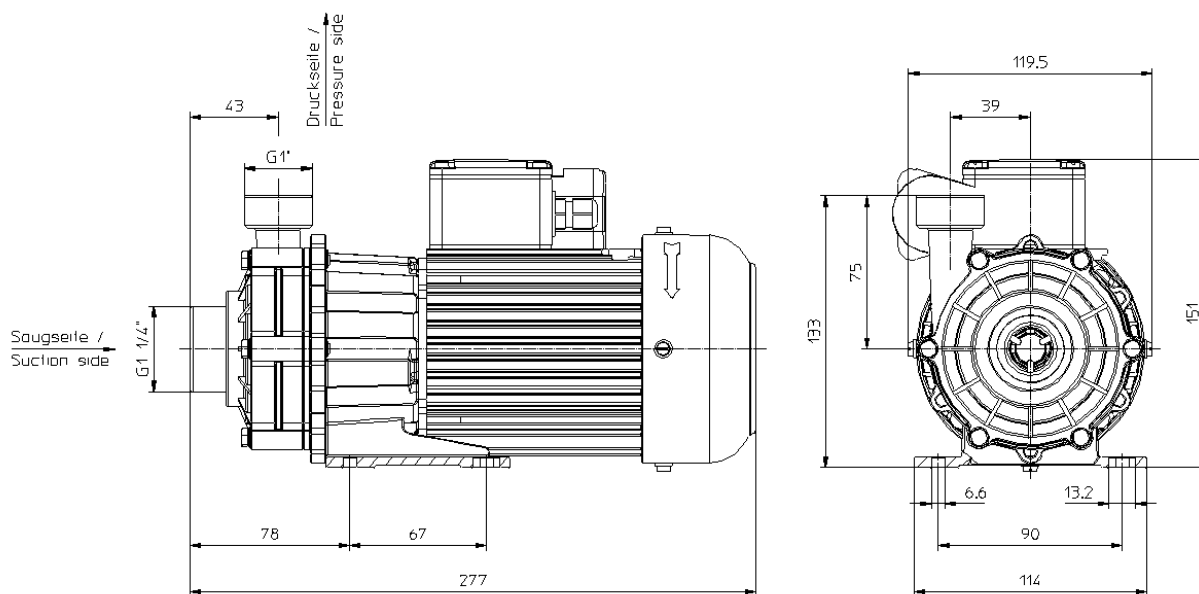
**RM1.5 – 7/55**

Motor output  
120W 1-ph. and 3-ph.  
2900 or 3450 rpm [2-pol.]

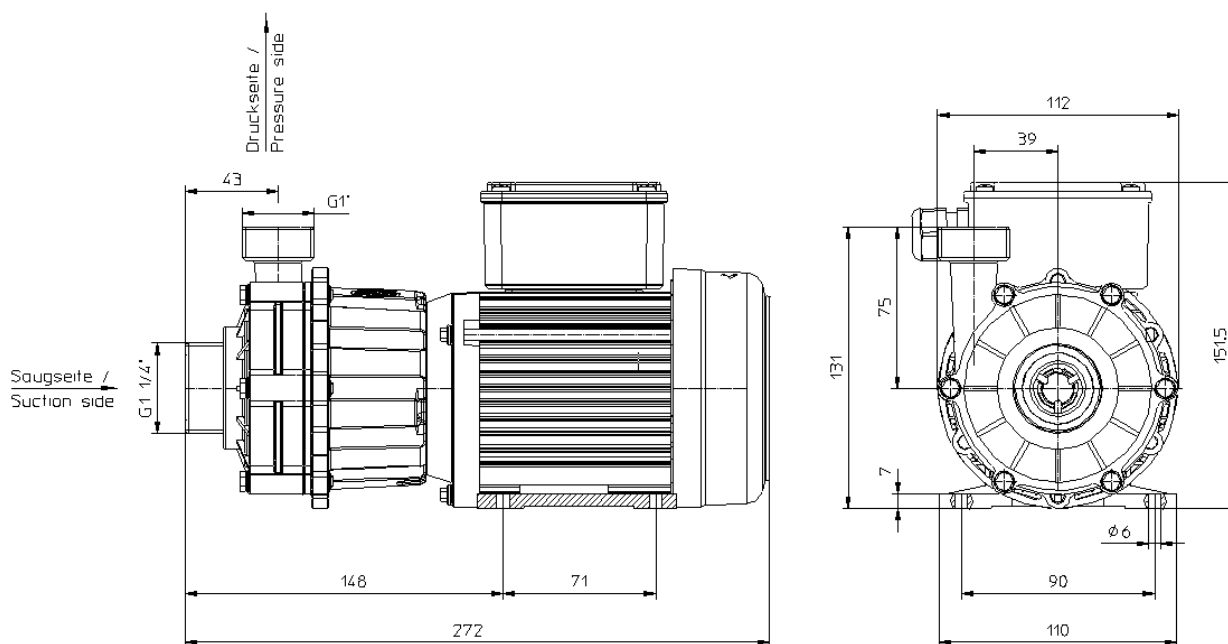


### Dimensional drawings [mm]

#### Single-phase alternating current (1-ph.)



#### Three-phase alternating current (3-ph.)



Motor dimensions can be different ! • Subject to technical alterations !


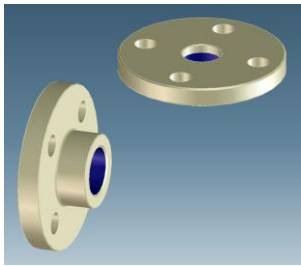
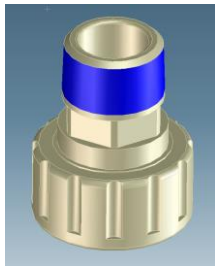
**DATASHEET**  
**Magnetically coupled pump**

**RM1.5 – 7/55**

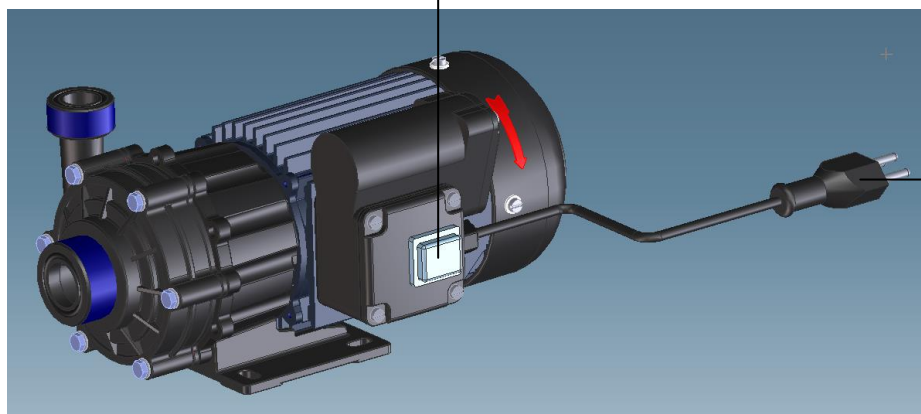
Motor output  
 120W 1-ph. and 3-ph.  
 2900 or 3450 rpm [2-pol.]



**Accessories / Options**

Hose connection	Flange (DIN, ANSI)	NPT - Adapter
 <p>13mm                      18mm                      21mm</p>	 <p>DN20 PN10 ( DIN EN 1092-3 )                      DN25 PN10 ( DIN EN 1092-3 )                      0,75" ( ANSI Class 150 )                      1" ( ANSI Class 150 )</p>	 <p>NPT (M) 1"                      NPT (M) 3/4"</p>

**On-/Off - switch**



**3m cabel + plug connector**

Subject to technical alterations !