

# DATASHEET

## Magnetically coupled pump

### RM1 – 3/30

Motor output  
60W 1-ph. and 3-ph.  
2900 or 3450 rpm [2-pol.]




Magnetically coupled, centrifugal pumps, single-stage, horizontal, non self-priming, made in monobloc design.

		RM1 - 3/30
Motor output	[W]	<b>60</b>
Rated current @ 230V 50Hz 1ph.	[A]	0,7
Rated current @ 400V 50Hz 3ph.	[A]	0,24
Head max.	[mWS]	3
Capacity max.	[l/min.]	23
Density max. @ Qmax	[g/cm <sup>3</sup> ]	1,8

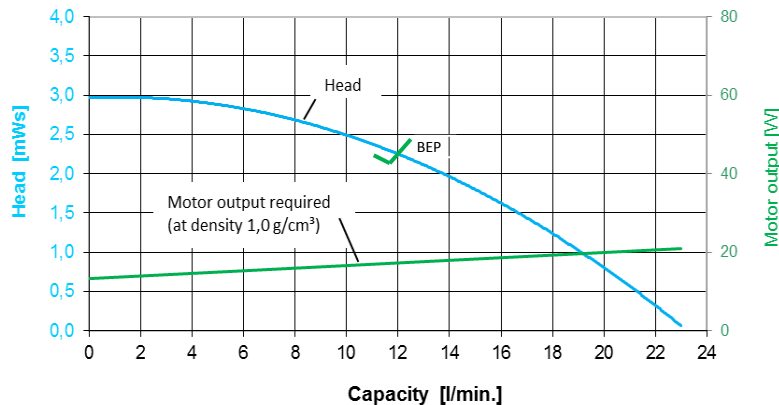
#### Materials:



#### Technical data

Medium-temperature max.	PP PVDF Stainless	80 °C 95 °C 100 °C
System-pressure max.	PP PVDF Stainless	1,0 bar 2,0 bar 8,0 bar
Viscosity	< 160 Pa s	
Elektrical motor	3-ph. motors, 50 and 60Hz, IE2, IE3 or IE4 Protection IP55, Isolationclass F , Chemical resistant 2K- painting RAL5011	
Options	<i>Thermal protection, other voltages / frequencies, UL, CSA, Special paintings and colors</i> 	

### Flow curve RM1 - 3/30



Speed: 2900 rpm @ 50Hz or 3450 rpm @ 60Hz

Values based on water at 20 °C (68 °F) / Measured value +/- 10%

Subject to technical alterations !

# DATASHEET

## Magnetically coupled pump

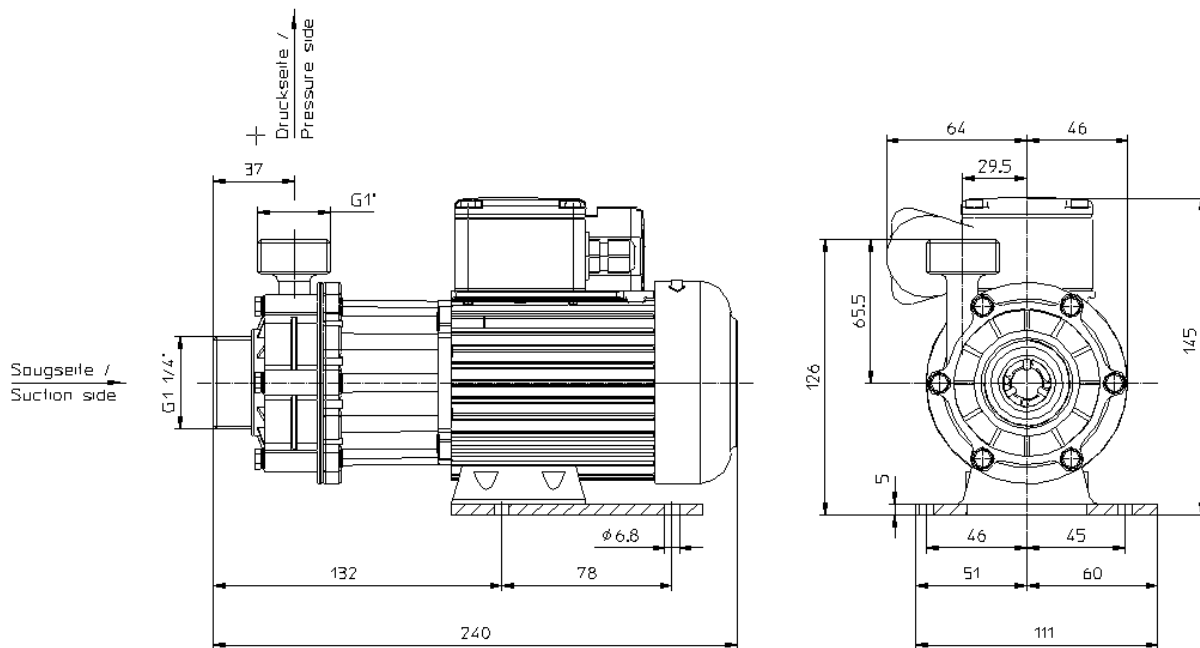
**RM1 – 3/30**

Motor output  
60W 1-ph. and 3-ph.  
2900 or 3450 rpm [2-pol.]

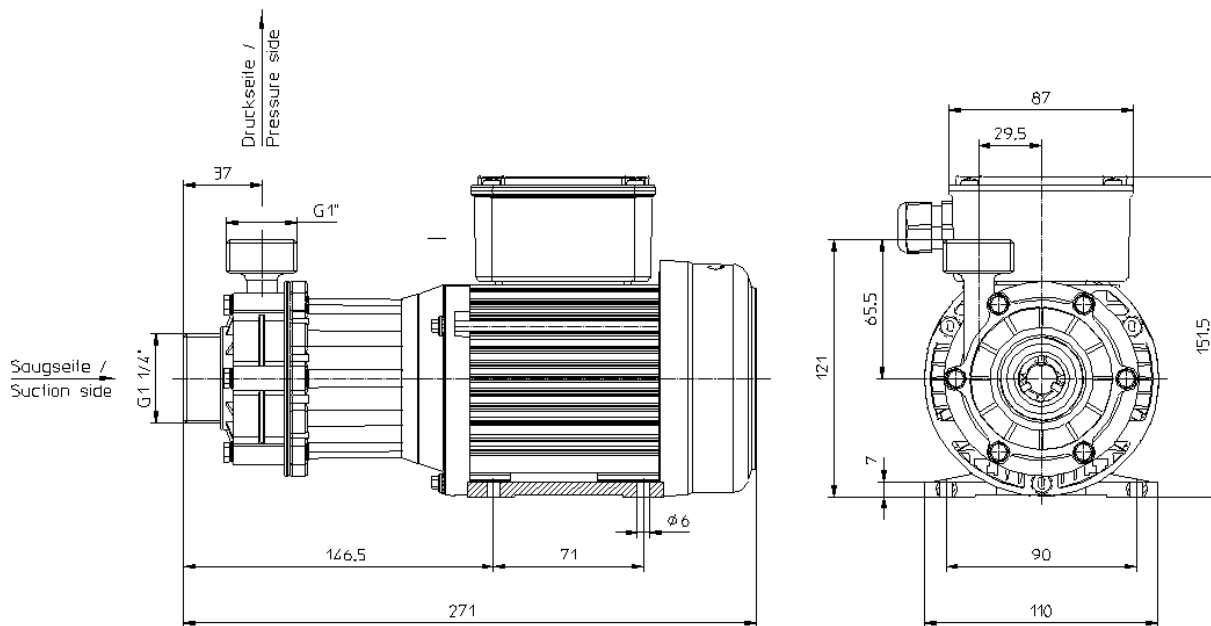


### Dimensional drawings [mm]

#### Single-phase alternating current (1-ph.)



#### Three-phase alternating current (3-ph.)



Motor dimensions can be different ! • Subject to technical alterations !

# DATASHEET


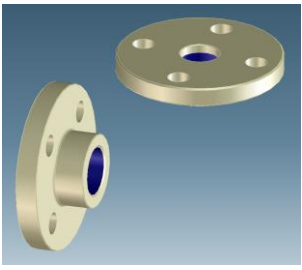
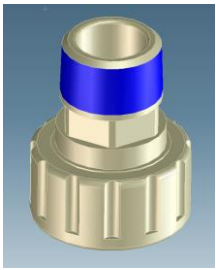
## Magnetically coupled pump

**RM1 – 3/30**

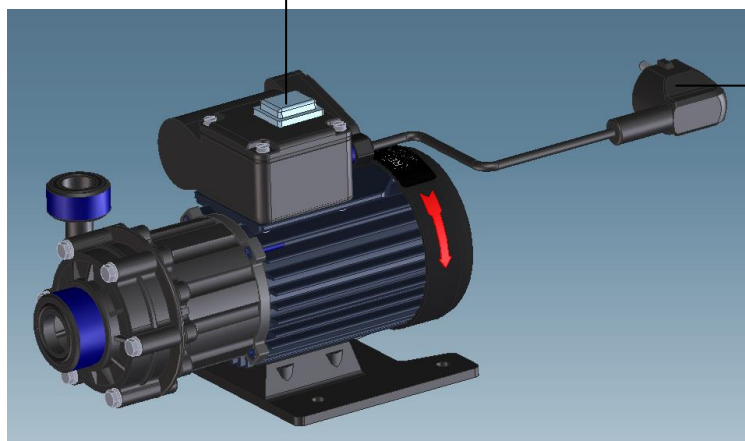
Motor output  
60W 1-ph. and 3-ph.  
2900 or 3450 rpm [2-pol.]



### Accessories / Options

Hose connection	Flange (DIN, ANSI)	NPT - Adapter
 <p>13mm 18mm 21mm</p>	 <p>DN20 PN10 ( DIN EN 1092-3 ) DN25 PN10 ( DIN EN 1092-3 ) 0,75" ( ANSI Class 150 ) 1" ( ANSI Class 150 )</p>	 <p>NPT (M) 1" NPT (M) 3/4"</p>

**On-/Off - switch**



**3m cabel + plug connector**

Subject to technical alterations !