

# DATASHEET

## Magnetically coupled pump

### RM1 – 7/30

Motor output  
60W 1-ph. and 3-ph.  
3500 rpm [2-pol. 60Hz]



Magnetically coupled, centrifugal pumps, single-stage, horizontal, non self-priming, made in monobloc design.

		RM1 - 7/30
Motor output	[W]	72
Rated current @ 230V 60Hz 1ph.	[A]	0,89
Rated current @ 400V 60Hz 3ph.	[A]	0,24
Head max.	[mWS]	7
Capacity max.	[l/min.]	35
Density max. @ Qmax	[g/cm <sup>3</sup> ]	1,0

### Materials:



### Technical data

Medium-temperature max.	PP PVDF Stainless	80 °C 95 °C 100 °C	<div style="text-align: right; background-color: yellow; padding: 5px; font-weight: bold;">Only for 3500 rpm !!</div> <h3 style="text-align: center;">Flow curves RM1 - 7/30</h3> <p style="text-align: center;">Speed: 3500 rpm @ 60Hz</p> <p style="text-align: center;">Values based on water at 20 °C (68 °F) / Measured value +/- 10%</p> <p style="text-align: right;">Subject to technical alterations !</p>
System-pressure max.	PP PVDF Stainless	1,0 bar 2,0 bar 8,0 bar	
Viscosity	< 160 Pa s		
Elektrical motor	3-ph. motors, 50 and 60Hz, IE2, IE3 or IE4 Protection IP55, Isolationclass F , Chemical resistant 2K-painting RAL5011		
Optional	<i>Thermal protection, other voltages / frequencies, UL, CSA, Special paintings and colors</i>		

**DATASHEET**  
**Magnetically coupled pump**

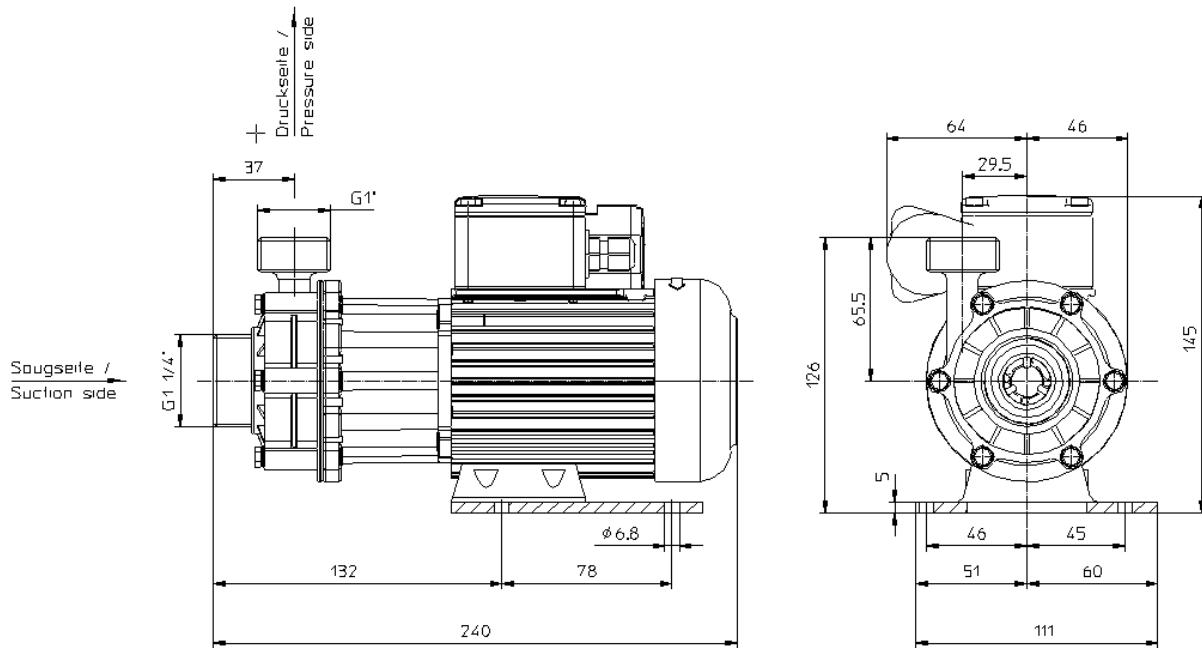
**RM1 – 7/30**

Motor output  
 60W 1-ph. and 3-ph.  
 3500 rpm [2-pol. 60Hz]

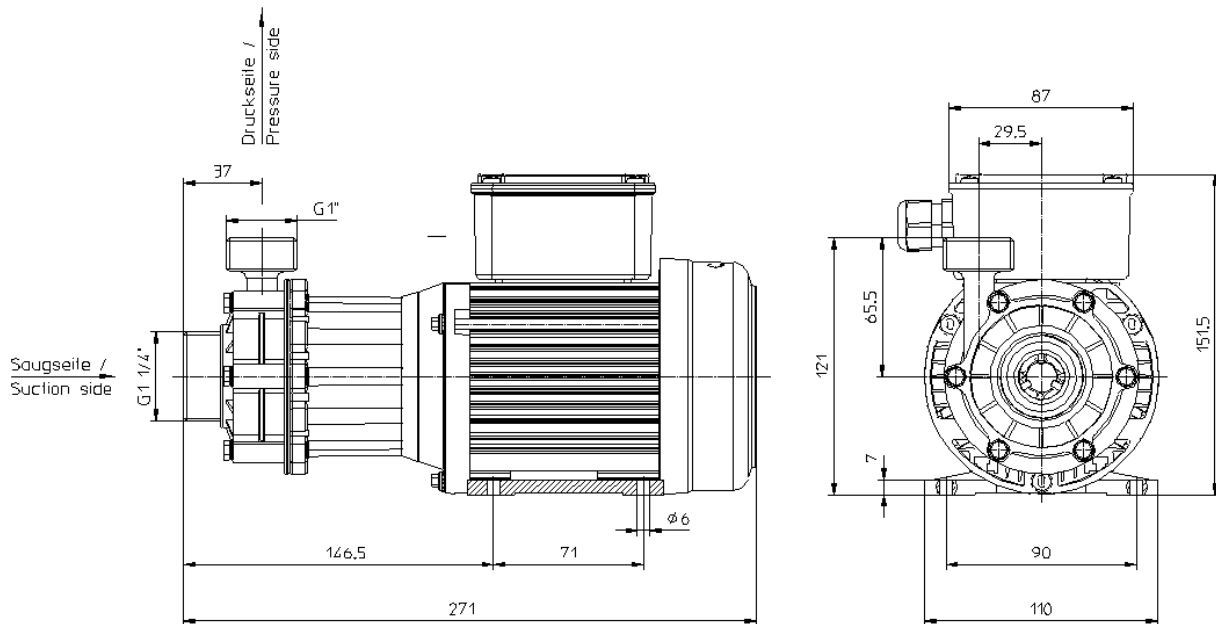


**Dimensional drawings [mm]**

**Single-phase alternating current (1-ph.)**



**Three-phase alternating current (3-ph.)**



Motor dimensions can be different ! • Subject to technical alterations !

# DATASHEET


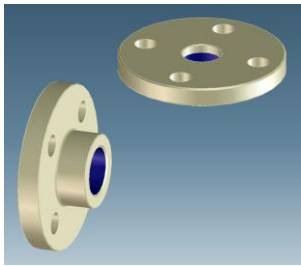
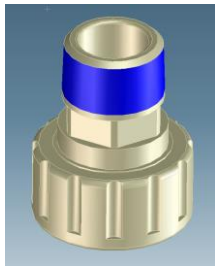
## Magnetically coupled pump

**RM1 – 7/30**

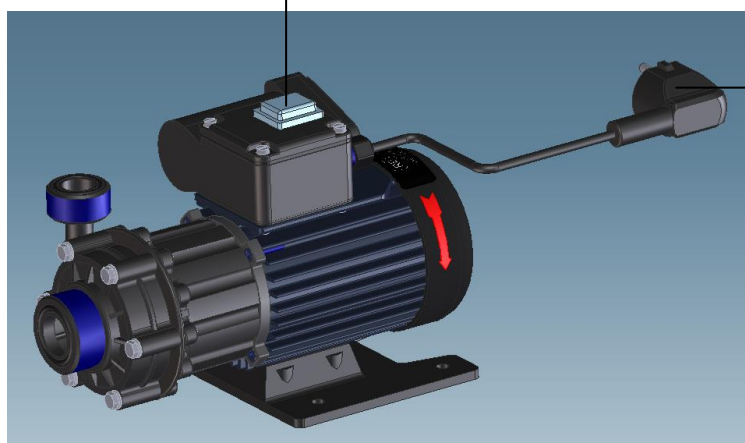
Motor output  
60W 1-ph. and 3-ph.  
3500 rpm [2-pol. 60Hz]



### Accessories / Options

Hose connection	Flange (DIN, ANSI)	NPT - Adapter
 <p>13mm 18mm 21mm</p>	 <p>DN20 PN10 ( DIN EN 1092-3 ) DN25 PN10 ( DIN EN 1092-3 ) 0,75" ( ANSI Class 150 ) 1" ( ANSI Class 150 )</p>	 <p>NPT (M) 1" NPT (M) 3/4"</p>

On-/Off - switch



3m cabel + plug connector

Subject to technical alterations !

