

# DATASHEET

## Magnetically coupled pump

**RM 2D – 16/60**

Motor output

250W

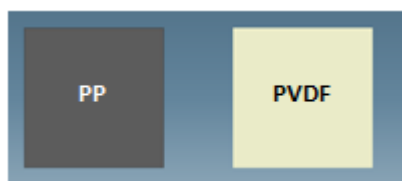
2900 or 3450 rpm [2-pol.]




Magnetically coupled, centrifugal pumps, two-stages, horizontal, non self-priming, made in monobloc design.

|                                |          | RM 2D - 16/60 |
|--------------------------------|----------|---------------|
| Motor output                   | [W]      | <b>250</b>    |
| Rated current @ 400V 50Hz 3ph. | [A]      | 0,67          |
| Head max.                      | [mWS]    | 16            |
| Capacity max.                  | [l/min.] | 60            |
| Density max. @ Qmax            | [g/cm³]  | 1,0           |

### Materials:



### Technical data

|                         |   |                    |   |
|-------------------------|---|--------------------|---|
| Medium-temperature max. | PP<br>PVDF  | 80 °C<br>95 °C     | <div style="text-align: center;"> <h3>Flow curves RM 2D - 16/60</h3> <p>Speed: 2900 rpm @ 50Hz or 3450 rpm @ 60Hz</p> <p>Values based on water at 20 °C (68 °F) / Measured value +/- 10%</p> <p>Subject to technical alterations !</p> </div> |
| System-pressure max.    | PP<br>PVDF  | 2,5 bar<br>3,5 bar |   |
| Viscosity               | < 160 Pa s  |                    |   |
| Elektrical motor        | 3-ph. or 1-ph. motors<br>50 and 60Hz,<br>Protection IP55,<br>Isolationclass F ,<br>Chemical resistant 2K-<br>painting RAL5011   |                    |   |
| Options                 | <i>Thermal protection,<br/>other voltages /<br/>frequencies,<br/>Special paintings and<br/>colors</i>  |                    |   |



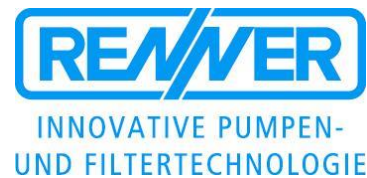
**DATASHEET**  
**Magnetically coupled pump**

**RM 2D – 16/60**

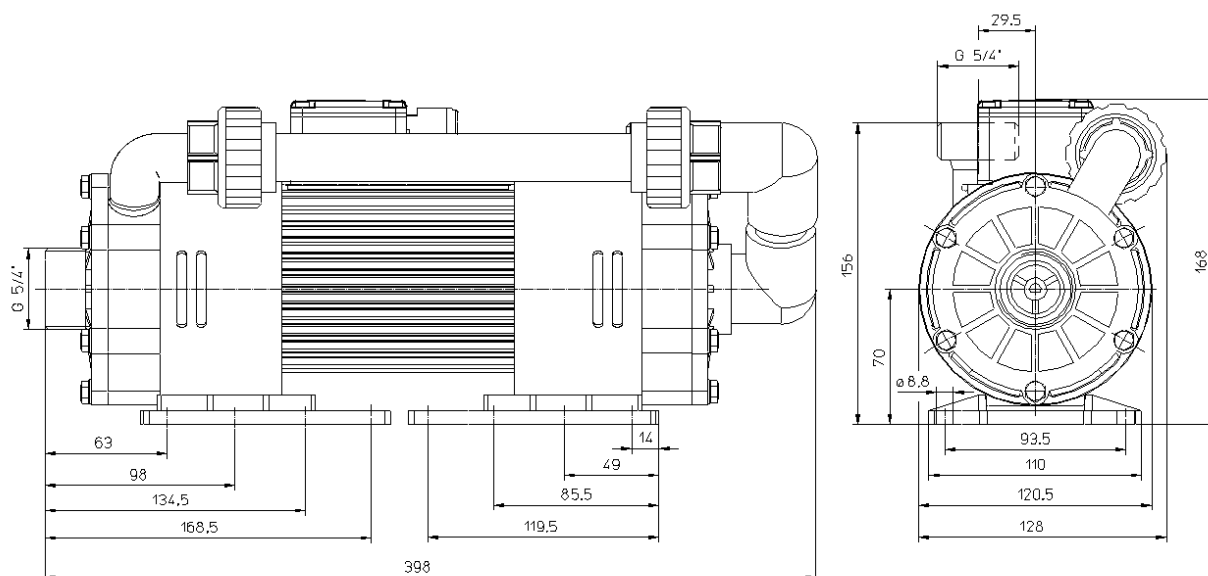
Motor output

250W

2900 or 3450 rpm [2-pol.]



**Dimensional drawings [mm]**



Motor dimensions can be different ! ● Subject to technical alterations !