

DATASHEET

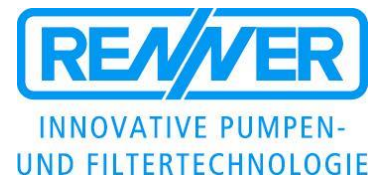
Magnetically coupled pump

Motor nonventilated

RM 2U - 5/50

Motor output
90W ; 180W
1-ph. and 3-ph.

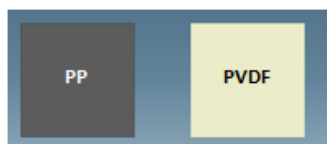
2900 or 3450 rpm [2-pol.]



Magnetically coupled, centrifugal pumps, single-stage, horizontal, non self-priming, made in monobloc design.

| | | RM 2U - 5/50 | |
|--------------------------------|----------------------|-------------------------------|-------------------------------|
| Motor output | [W] | 90 | 180 |
| Rated current @ 230V 50Hz 1ph. | [A] | 0,7 | 1,9 |
| Rated current @ 400V 50Hz 3ph. | [A] | 0,35 | 0,67 |
| Head max. | [mWS] | 4,5 | 4,5 |
| Capacity max. | [l/min.] | 75 | 75 |
| Density max. @ Qmax | [g/cm ³] | 1,2 | 2,0 |
| Length „L“ | [mm] | 235 | 250 |
| Distance „E“ | [mm] | Continuously variable 20 - 60 | Continuously variable 20 - 60 |

Materials:



Technical data

| | | | |
|-------------------------|---|--------------------|--|
| Medium-temperature max. | PP PVDF | 80 °C 90 °C | <div style="text-align: center;"> <h3>Flow curves RM 2U - 5/50</h3> <p>Speed: 2900 rpm @ 50Hz or 3450 rpm @ 60Hz</p> <p>Values based on water at 20 °C (68 °F) / Measured value +/- 10%</p> <p>Subject to technical alterations !</p> </div> |
| System-pressure max. | PP PVDF | 1,0 bar 2,0 bar | |
| Viscosity | < 160 Pa s | | |
| Elektrical motor | 3-ph. or 1-ph. motors 50 and 60Hz, Protection IP55, Isolationclass F , Chemical resistant 2K- painting RAL5011 | | |
| Optional | <i>Thermal protection, other voltages / frequencies, protections, special paintings and colors</i> | | |

DATASHEET
Magnetically coupled pump
Motor nonventilated

RM 2U - 5/50

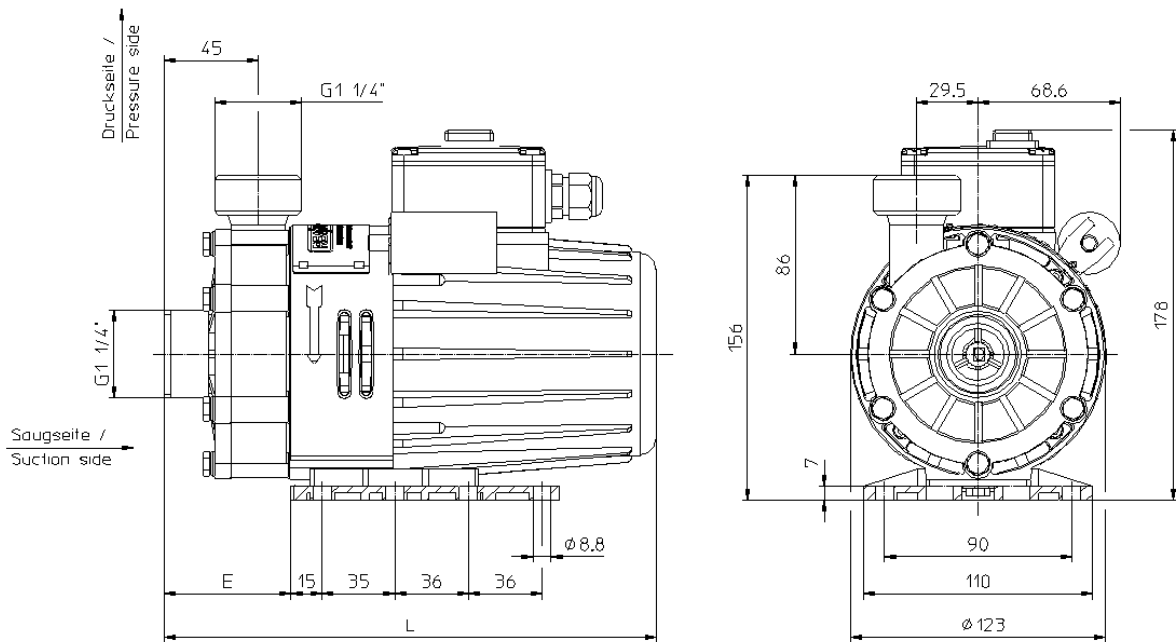
Motor output
 90W ; 180W
 1-ph. and 3-ph.

2900 or 3450 rpm [2-pol.]

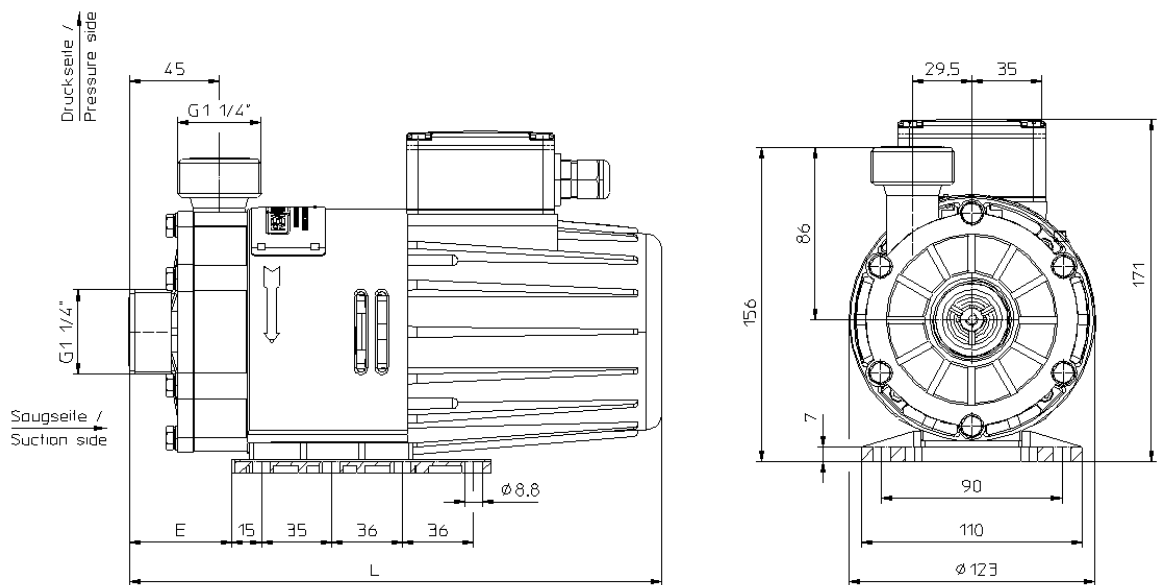


Dimensional drawings [mm]

Alternating current (1-ph.)



Three-phase current (3-ph.)



Motor dimensions can be different ! • Subject to technical alterations !

DATASHEET
Magnetically coupled pump
Motor nonventilated

RM 2U - 5/50


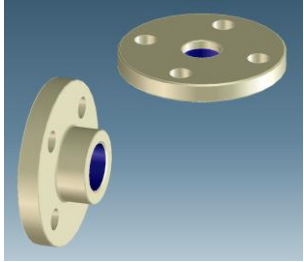
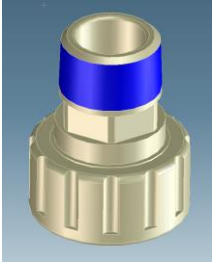
Motor output

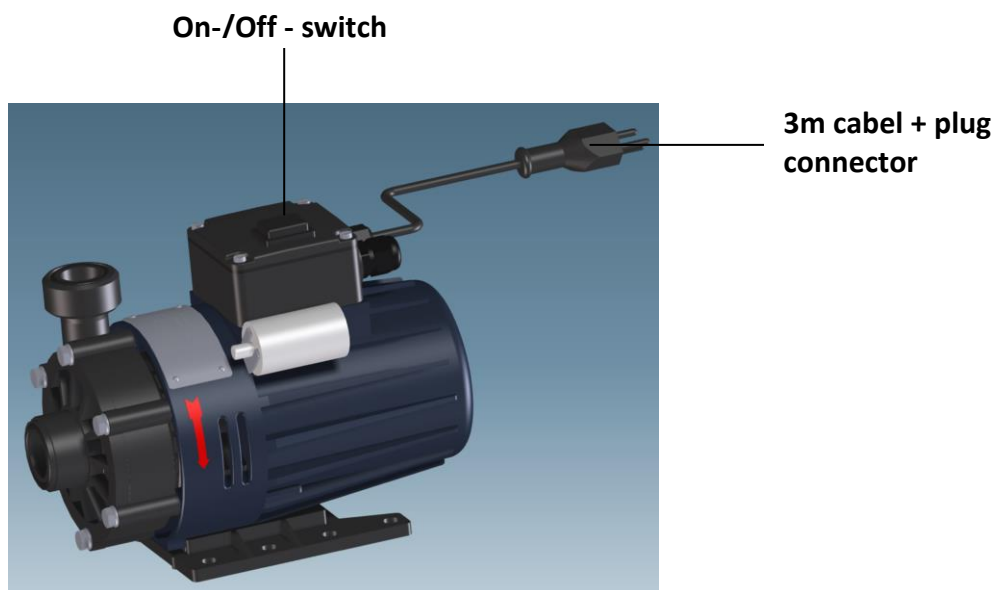
90W ; 180W
 1-ph. and 3-ph.

2900 or 3450 rpm [2-pol.]



Accessories / Options

| Hose connection | Flange (DIN, ANSI) | NPT - Adapter |
|---|---|---|
|  <p>13mm 18mm 21mm</p> |  <p>DN20 PN10 (DIN EN 1092-3) 0,75" (ANSI Class 150) 1" (ANSI Class 150)</p> |  <p>NPT (M) 1"</p> |



Subject to technical alterations !