

DATASHEET
Magnetically coupled pump
Motor nonventilated

RM 2U - 7/40

Motor output

125W ; 250W
 1-ph. and 3-ph.

2900 or 3450 rpm [2-pol.]




Magnetically coupled, centrifugal pumps, single-stage, horizontal, non self-priming, made in monobloc design.

		RM 2U - 7/40	
Motor output	[W]	125	250
Rated current @ 230V 50Hz 1ph.	[A]	0,7	1,9
Rated current @ 400V 50Hz 3ph.	[A]	0,45	0,67
Head max.	[mWS]	6	6
Capacity max.	[l/min.]	85	85
Density max. @ Qmax	[g/cm ³]	1,2	2,0
Length „L“	[mm]	250	265
Distance „E“	[mm]	Continuously variable 20 - 60	Continuously variable 20 - 60

Materials:



Technical data

Medium-temperature max.	PP PVDF	80 °C 90 °C	<p style="text-align: center;">Flow curves RM 2U - 7/40</p> <p style="text-align: center;">Speed: 2900 rpm @ 50Hz or 3450 rpm @ 60Hz</p> <p style="text-align: center;">Values based on water at 20 °C (68 °F) / Measured value +/- 10%</p> <p style="text-align: right;">Subject to technical alterations !</p>
System-pressure max.	PP PVDF	1,0 bar 2,0 bar	
Viscosity	< 160 Pa s		
Elektrical motor	3-ph. or 1-ph. motors 50 and 60Hz, Protection IP55, Isolationclass F , Chemical resistant 2K- painting RAL5011		
Options	<i>Thermal protection, other voltages / frequencies, protections, special paintings and colors</i> 		

DATASHEET
Magnetically coupled pump
Motor nonventilated

RM 2U - 7/40

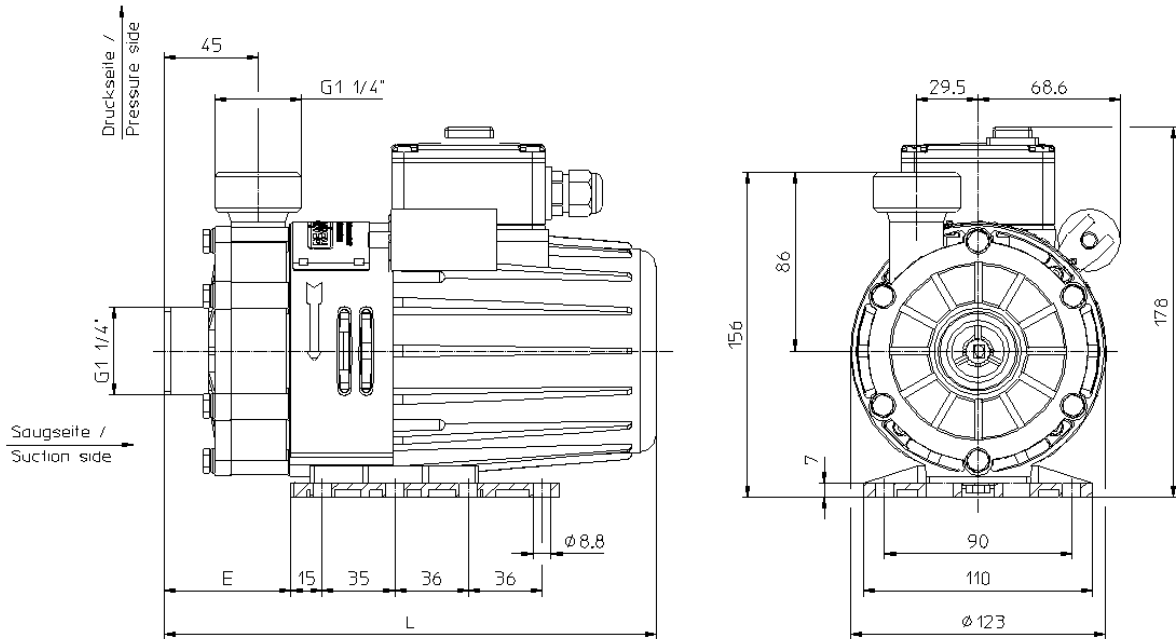
Motor output
 125W ; 250W
 1-ph. and 3-ph.

2900 or 3450 rpm [2-pol.]

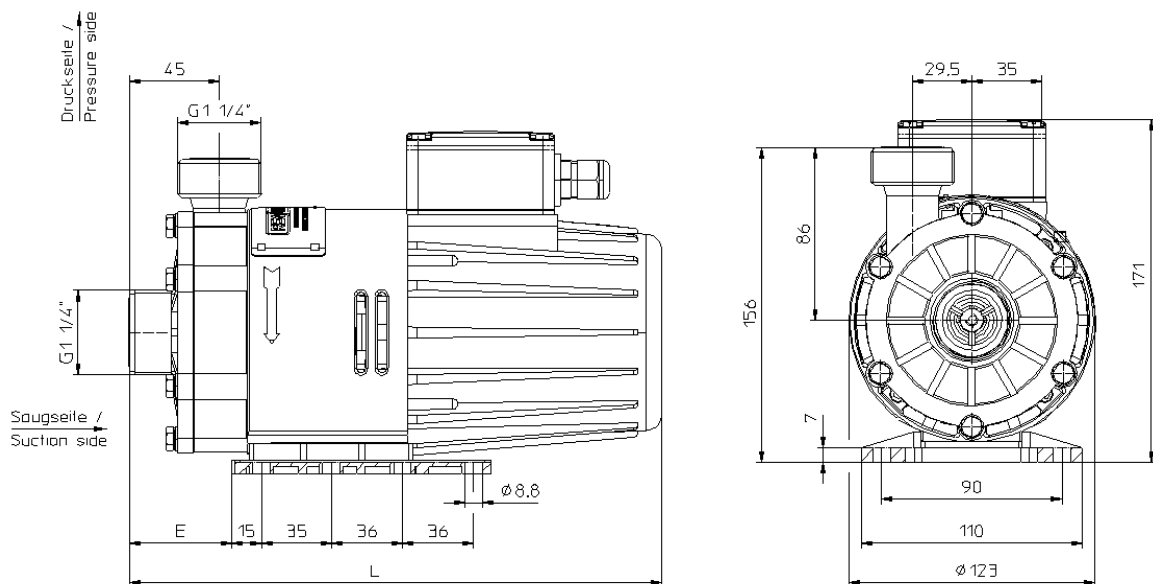


Dimensional drawings [mm]

Alternating current (1-ph.)



Three-phase current (3-ph.)



Motor dimensions can be different ! • Subject to technical alterations !

DATASHEET
Magnetically coupled pump
Motor nonventilated

RM 2U - 7/40


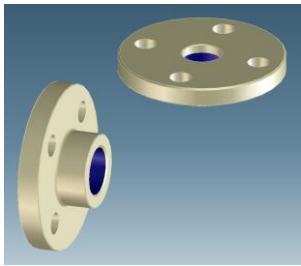
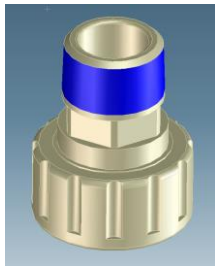
Motor output

125W ; 250W
 1-ph. and 3-ph.

2900 or 3450 rpm [2-pol.]



Accessories / Options

Hose connection	Flange (DIN, ANSI)	NPT - Adapter
 <p>13mm 18mm 21mm</p>	 <p>DN20 PN10 (DIN EN 1092-3) 0,75" (ANSI Class 150) 1" (ANSI Class 150)</p>	 <p>NPT (M) 1"</p>

On-/Off - switch



3m cabel + plug connector

Subject to technical alterations !