

# DATASHEET

## Magnetically coupled pump

### RM 4.5 – 18/550

Motor output

3,0kW / 4,0kW / 5,5kW  
2900 or 3450 rpm [2-pol.]




Magnetically coupled, centrifugal pumps, single-stage, horizontal, non self-priming, made in monobloc design.

				RM4.5 - 18/550					
Motor output		[kW]		3,0		4,0		5,5	
Rated current @ 400V 50Hz 3ph.		[A]		6,0		8,6		10,3	
Head max.		[mWS]		18		18		18	
Capacity max.		[l/min.]		700		700		700	
Density max. @ Qmax		[g/cm³]		1,2		1,6		2,2	
Length „L“	IE2	IE3	[mm]	547	560	577	620	630	700

#### Materials:



#### Technical data

Medium-temperature max.	PP PVDF Stainless	80 °C 95 °C 100 °C	<div style="text-align: center;"> <h3>Flow curves RM4.5 - 18/550</h3> <p>Speed: 2900 rpm @ 50Hz or 3450 rpm @ 60Hz</p> <p>Values based on water at 20 °C (68 °F) / Measured value +/- 10%</p> </div>
System-pressure max.	PP PVDF Stainless	5,0 bar 6,0 bar 10,0 bar	
Viscosity	< 160 Pa s		
Electrical motor	3-ph. motors, 50 and 60Hz, IE2, IE3 or IE4 Protection IP55, Isolationclass F , Chemical resistant 2K- painting RAL5011		
Options	<i>Thermal protection, other voltages / frequencies, UL, CSA, Special paintings and colors</i> 		
			Subject to technical alterations !

# DATASHEET

## Magnetically coupled pump

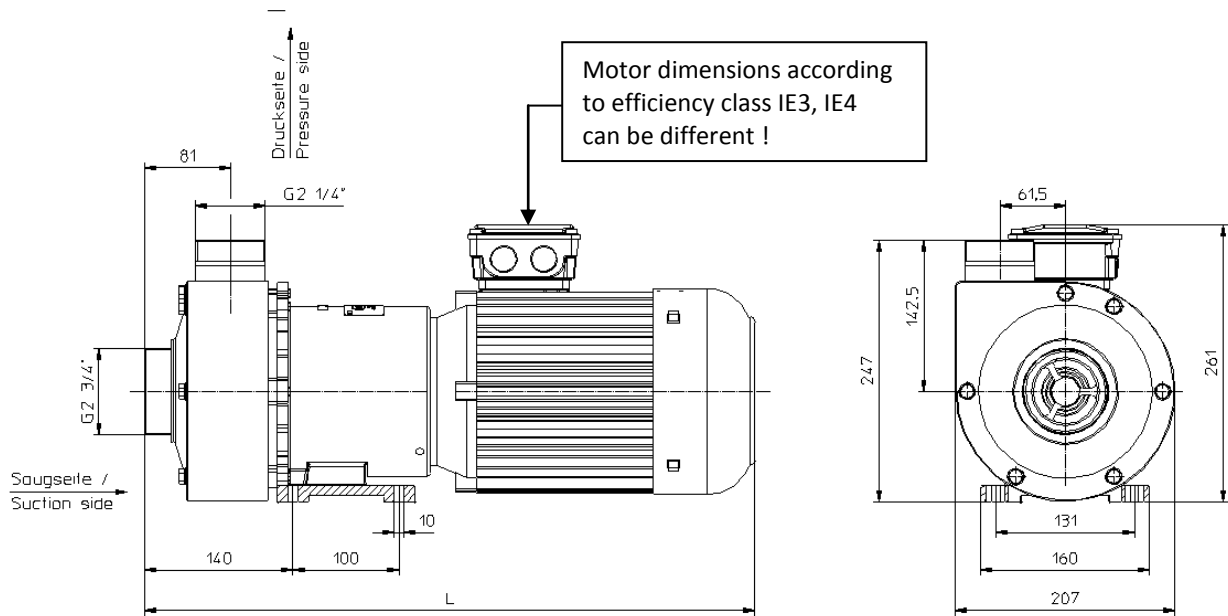
RM 4.5 – 18/550

Motor output  
3,0kW / 4,0kW / 5,5kW  
2900 or 3450 rpm [2-pol.]

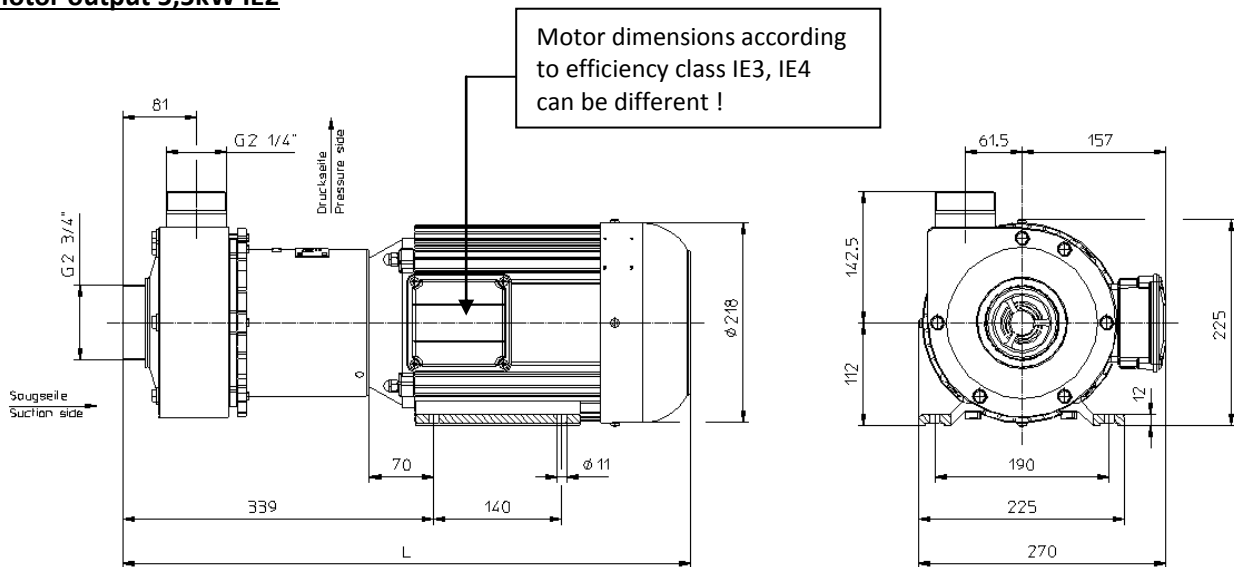


### Dimensional drawings [mm]

#### Motor output 3,0kW and 4,0kW IE2



#### Motor output 5,5kW IE2



Motor dimensions can be different ! ● Subject to technical alterations !

# DATASHEET

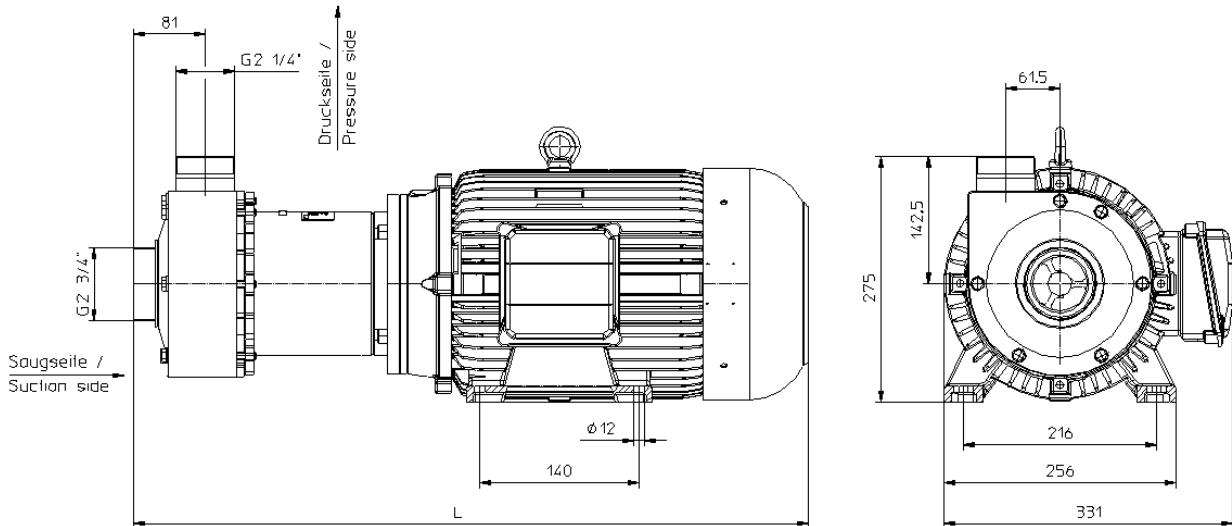
## Magnetically coupled pump

**RM 4.5 – 18/550**

Motor output  
3,0kW / 4,0kW / 5,5kW  
2900 or 3450 rpm [2-pol.]


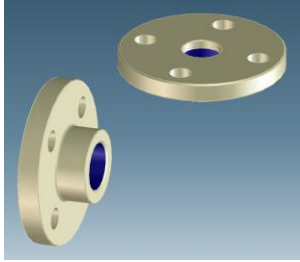
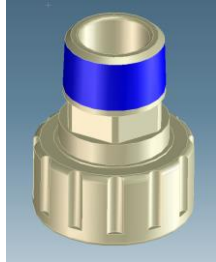


### Motor output 5,5kW – IE3



Motor dimensions can be different ! ● Subject to technical alterations !

### Accessories / Options

Hose connection	Flange (DIN, ANSI)	NPT - Adapter
 <p>40mm 50mm 63mm</p>	 <p>DN50 PN10 ( DIN EN 1092-3 ) DN65 PN10 ( DIN EN 1092-3 ) 2.5" ( ANSI Class 150 ) 2" ( ANSI Class 150 )</p>	 <p>NPT (M) 2.5" NPT (M) 3"</p>

# DATASHEET

## Magnetically coupled pump

### RM 4.5 – 18/550

Motor output  
3,0kW / 4,0kW / 5,5kW  
2900 or 3450 rpm [2-pol.]

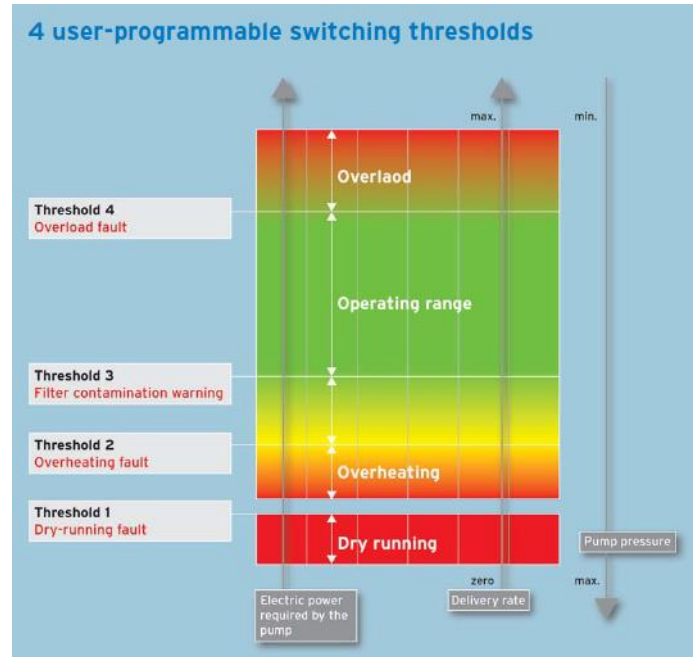


Monitor and protect your pump and your process !

Electronic process monitoring -> RPR-Control



- Monitoring the filter fouling
- Dry running
- Overheating
- Overload



Subject to technical alterations !