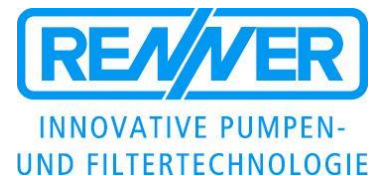


DATASHEET

Magnetically coupled pump

RM 4.5 – 23/650

Motor output
4,0kW / 5,5kW / 7,5kW
2900 or 3450 rpm [2-pol.]




Magnetically coupled, centrifugal pumps, single-stage, horizontal, non self-priming, made in monobloc design.

		RM4.5 - 23/650							
Motor output	[kW]	4,0		5,5		7,5			
Rated current @ 400V 50Hz 3ph.	[A]	8,6		10,3		13,5			
Head max.	[mWS]	23		23		23			
Capacity max.	[l/min.]	900		900		900			
Density max. @ Qmax	[g/cm³]	1,1		1,5		2,1			
Length „L“	IE2	IE3	[mm]	577	620	630	700	700	735

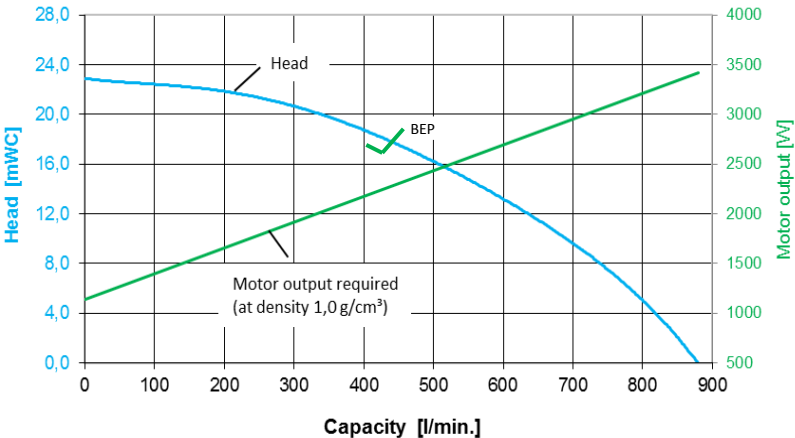
Materials:



Technical data

Medium-temperature max.	PP PVDF Stainless	80 °C 95 °C 100 °C
System-pressure max.	PP PVDF Stainless	5,0 bar 6,0 bar 10,0 bar
Viscosity	< 160 Pa s	
Electrical motor	3-ph. motors, 50 and 60Hz, IE2, IE3 or IE4 Protection IP55, Isolationclass F , Chemical resistant 2K- painting RAL5011	
Options	<i>Thermal protection, other voltages / frequencies, UL, CSA, Special paintings and colors</i> 	

Flow curves RM4.5 - 23/650



Speed: 2900 rpm @ 50Hz or 3450 rpm @ 60Hz

Values based on water at 20 °C (68 °F) / Measured value +/- 10%

Subject to technical alterations !

DATASHEET

Magnetically coupled pump

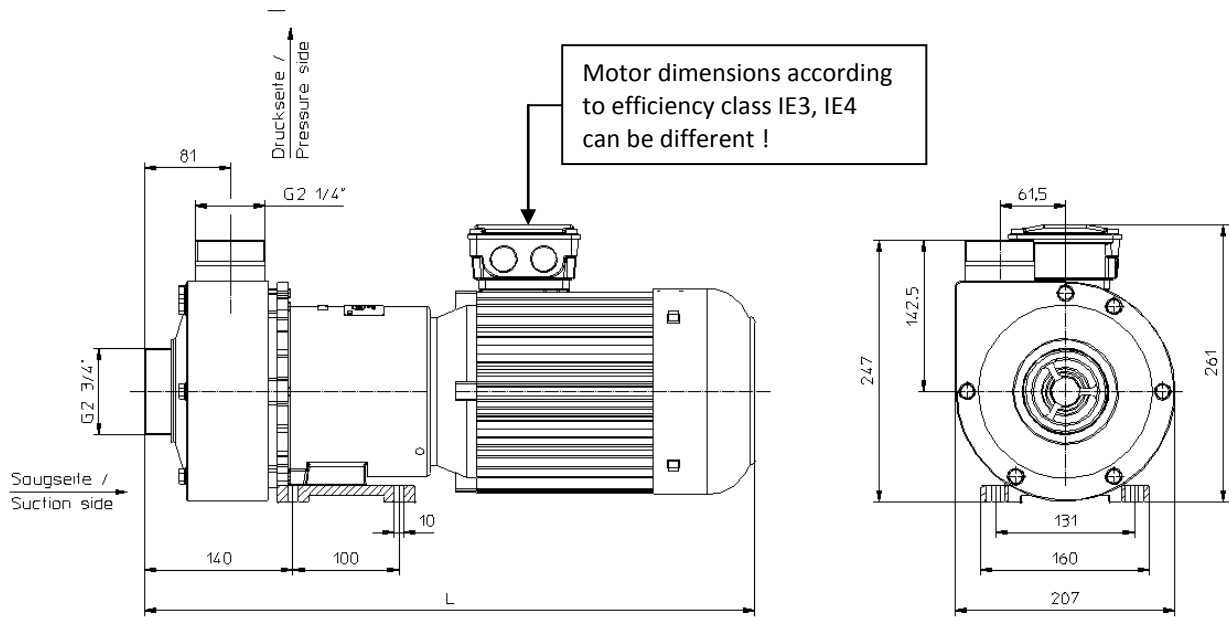
RM 4.5 – 23/650

Motor output
4,0kW / 5,5kW / 7,5kW
2900 or 3450 rpm [2-pol.]

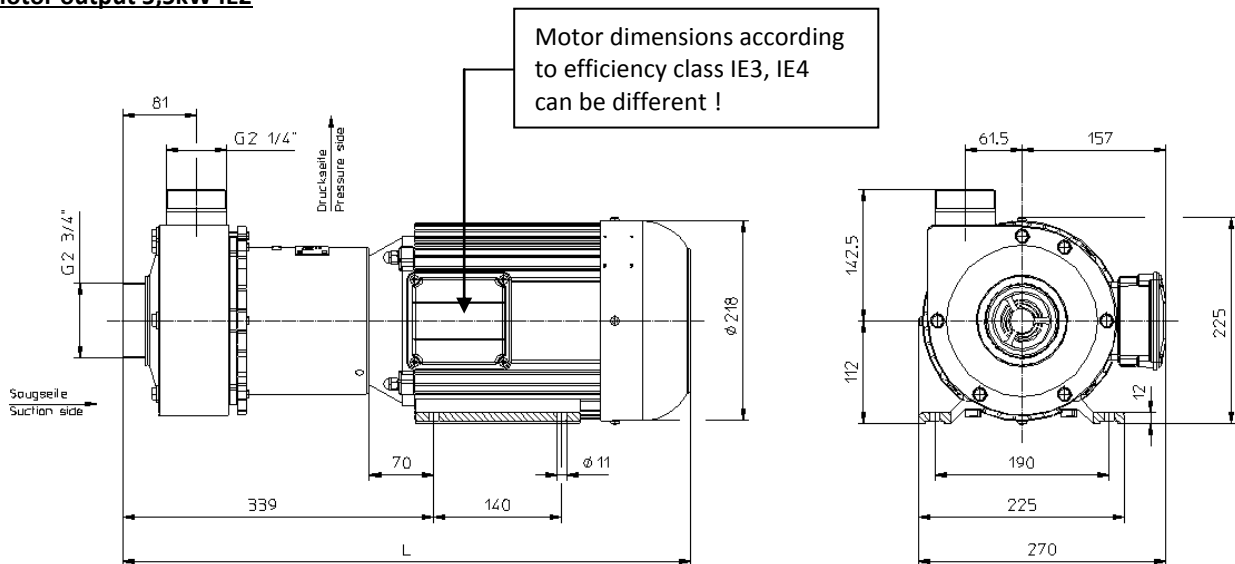


Dimensional drawings [mm]

Motor output 3,0kW and 4,0kW IE2



Motor output 5,5kW IE2



Motor dimensions can be different ! • Subject to technical alterations !

DATASHEET

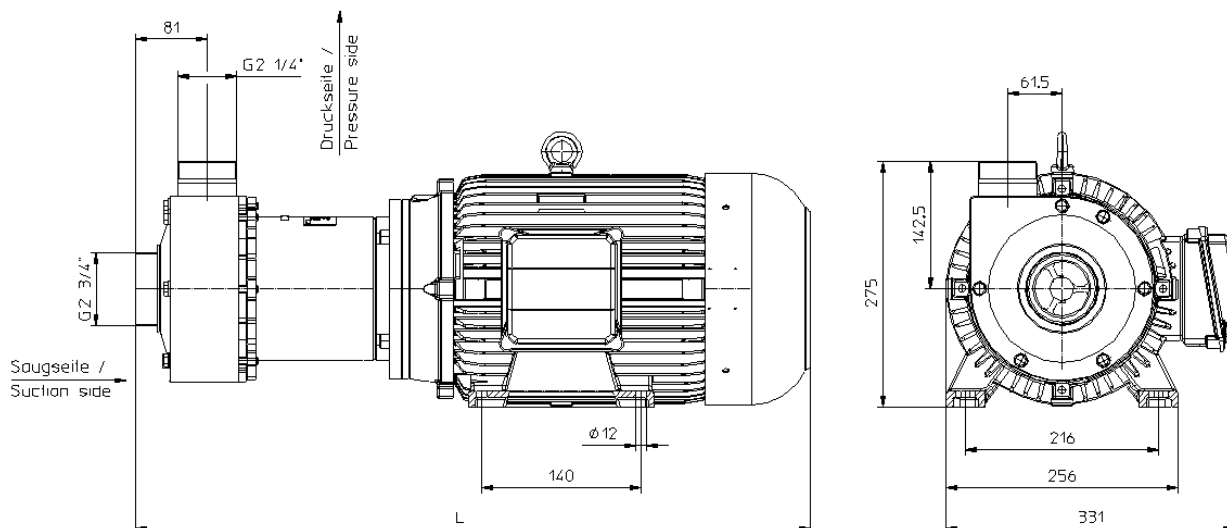
Magnetically coupled pump

RM 4.5 – 23/650

Motor output
4,0kW / 5,5kW / 7,5kW
2900 or 3450 rpm [2-pol.]


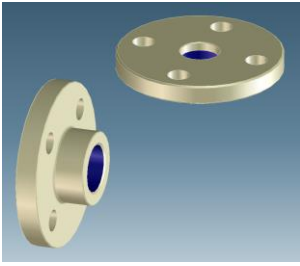
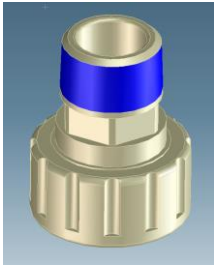


Motor output 5,5kW – IE3 and 7,5kW IE2 + IE3



Motor dimensions can be different ! ● Subject to technical alterations !

Accessories / Options

Hose connection	Flange (DIN, ANSI)	NPT - Adapter
 <p>40mm 50mm 63mm</p>	 <p>DN50 PN10 (DIN EN 1092-3) DN65 PN10 (DIN EN 1092-3) 2.5" (ANSI Class 150) 2" (ANSI Class 150)</p>	 <p>NPT (M) 2.5" NPT (M) 3"</p>

DATASHEET

Magnetically coupled pump

RM 4.5 – 23/650

Motor output

4,0kW / 5,5kW / 7,5kW
2900 or 3450 rpm [2-pol.]

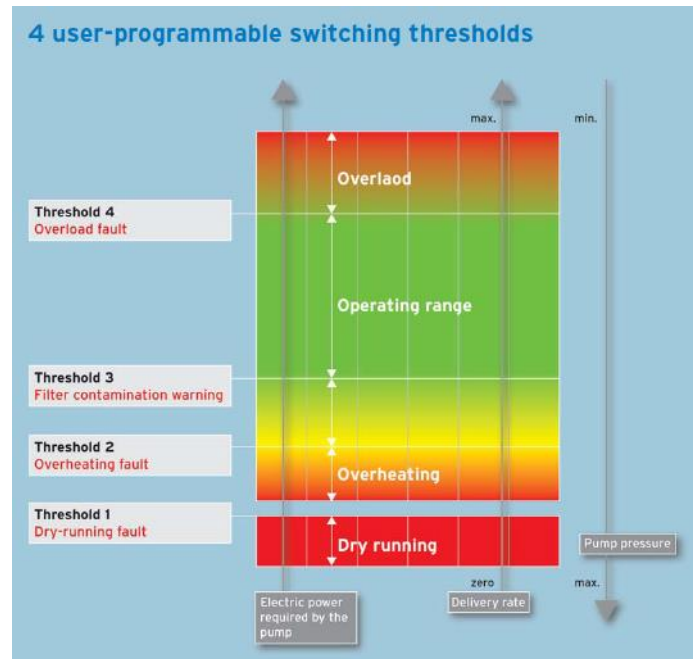


Monitor and protect your pump and your process !

Electronic process monitoring -> RPR-Control



- Monitoring the filter fouling
- Dry running
- Overheating
- Overload



Subject to technical alterations !