

DATASHEET

Magnetically coupled pump

RM 4.5 – 35/800

Motor output

7,5kW / 11,0kW / 15,0kW
3450 rpm [2-pol.] 60Hz !




Magnetically coupled, centrifugal pumps, single-stage, horizontal, non self-priming, made in monobloc design.

		RM4.5 - 35/800							
Motor output	[kW]	7,5		11,0		15,0			
Rated current @ 400V 50Hz 3ph.	[A]	13,5		22,0		27,0			
Head max.	[mWS]	40		40		40			
Capacity max.	[l/min.]	800		800		800			
Density max. @ Qmax	[g/cm³]	1,0		1,45		1,9			
Length „L“	IE2 IE3	[mm]	700	735	785	785	800	800	

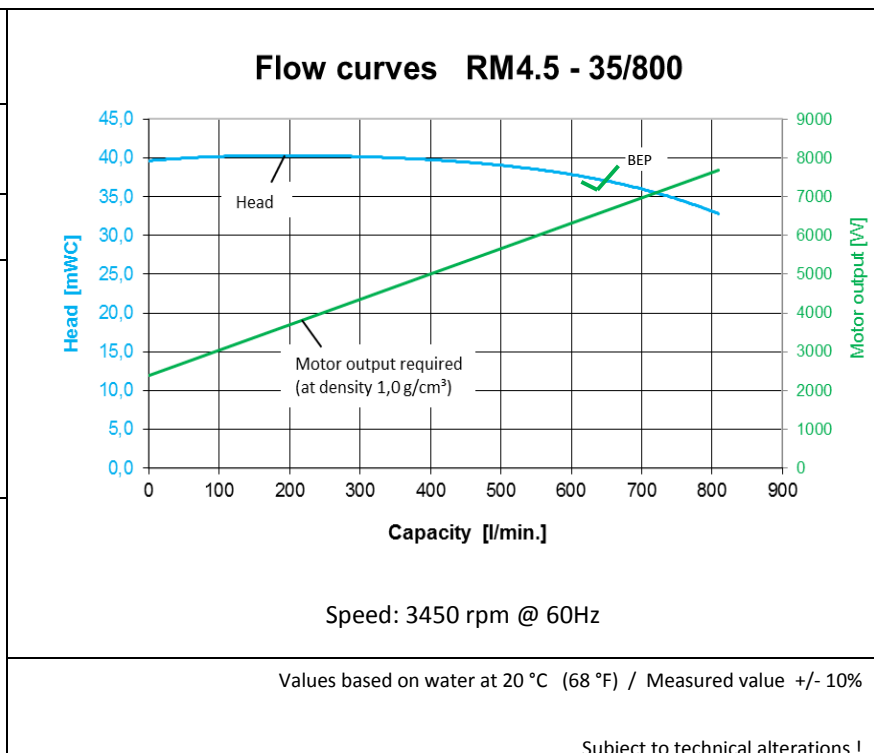
Materials:



Technical data

Medium-temperature max.	PP PVDF Stainless	80 °C 95 °C 100 °C
System-pressure max.	PP PVDF Stainless	5,0 bar 6,0 bar 10,0 bar
Viscosity	< 160 Pa s	
Electrical motor	3-ph. motors, 50 and 60Hz, IE2, IE3 or IE4 Protection IP55, Isolationclass F , Chemical resistant 2K- painting RAL5011	
Options	<i>Thermal protection, other voltages / frequencies, UL, CSA, Special paintings and colors</i> 	

Only for 3500 rpm !!



DATASHEET

Magnetically coupled pump

RM 4.5 – 35/800

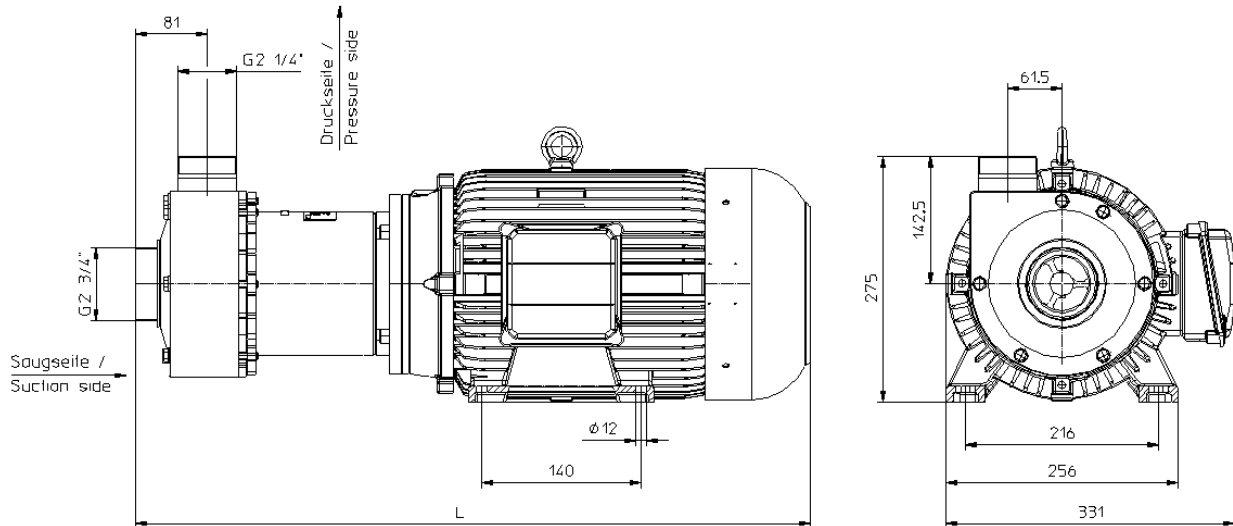
Motor output

7,5kW / 11,0kW / 15,0kW
3450 rpm [2-pol.] 60Hz !

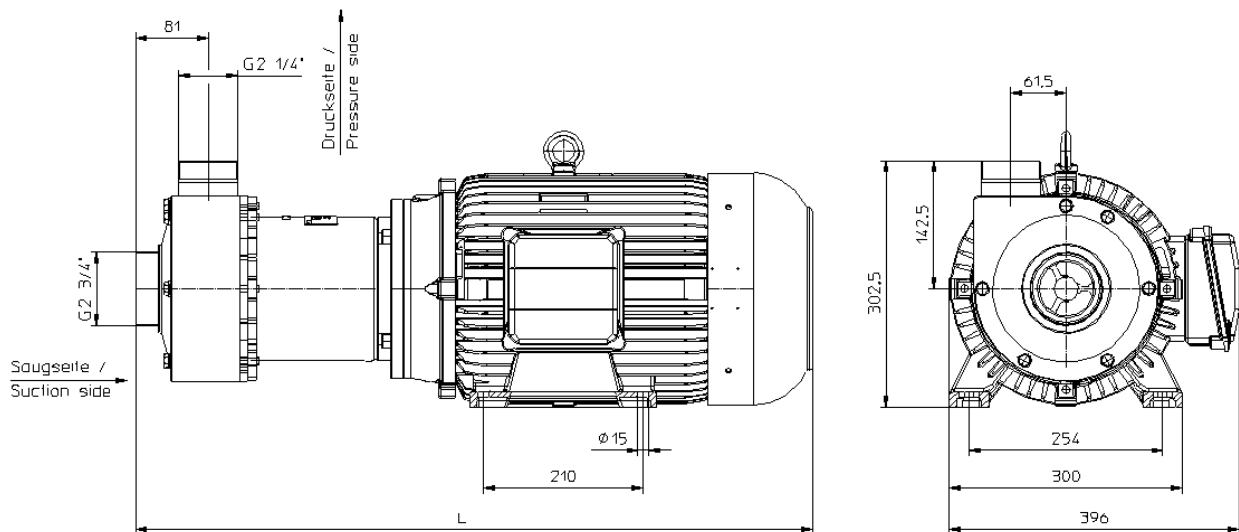


Dimensional drawings [mm]

Motor output 7,5kW IE2 + IE3



Motor output 11,0kW + 15,0kW IE3



Motor dimensions can be different ! ● Subject to technical alterations !



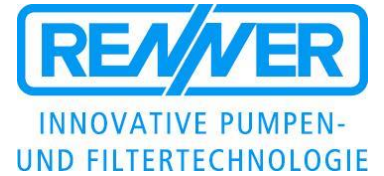
DATASHEET

Magnetically coupled pump


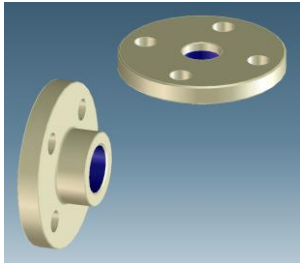
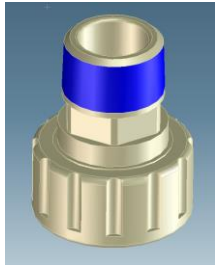
RM 4.5 – 35/800

Motor output

7,5kW / 11,0kW / 15,0kW
3450 rpm [2-pol.] 60Hz !



Accessories / Options

Hose connection	Flange (DIN, ANSI)	NPT - Adapter
 <p>40mm 50mm 63mm</p>	 <p>DN50 PN10 (DIN EN 1092-3) DN65 PN10 (DIN EN 1092-3) 2.5" (ANSI Class 150) 2" (ANSI Class 150)</p>	 <p>NPT (M) 2.5" NPT (M) 3"</p>

Monitor and protect your pump and your process !

Electronic process monitoring -> RPR-Control



- Monitoring the filter fouling
- Dry running
- Overheating
- Overload

