

# DATASHEET

## Magnetically coupled pump

### RM 5 – 13/1000

Motor output

4,0kW / 5,5kW  
1450 or 1750 rpm [4-pol.]



Magnetically coupled, centrifugal pumps, single-stage, horizontal, non self-priming, made in monobloc design.

				RM5 - 13/1000			
Motor output		[kW]		4,0		5,5	
Rated current @ 400V 50Hz 3ph.		[A]		8,2		10,6	
Head max.		[mWS]		13		13	
Capacity max.		[l/min.]		1200 [ 72 m <sup>3</sup> /h ]		1200 [ 72 m <sup>3</sup> /h ]	
Density max. @ Qmax		[g/cm <sup>3</sup> ]		1,0		1,4	
Length „L“	IE2	IE3	[mm]	716	751	757	757

#### Materials:



#### Technical data

Medium-temperature max.	PP PVDF	80 °C 95 °C	<h3>Flow curves RM5 - 13/1000</h3> <p>Speed: 1450 rpm @ 50Hz or 1750 rpm @ 60Hz</p> <p>Values based on water at 20 °C (68 °F) / Measured value +/- 10%</p> <p>Subject to technical alterations !</p>
System-pressure max.	PP PVDF	6,0 bar 6,0 bar	
Viscosity	< 160 Pa s		
Electrical motor	3-ph. motors, 50 and 60Hz, IE2, IE3 or IE4 Protection IP55, Isolationclass F , Chemical resistant 2K- painting RAL5011		
Options	<i>Thermal protection, other voltages / frequencies, UL, CSA, Special paintings and colors</i>		



# DATASHEET

## Magnetically coupled pump

### RM 5 – 13/1000

Motor output

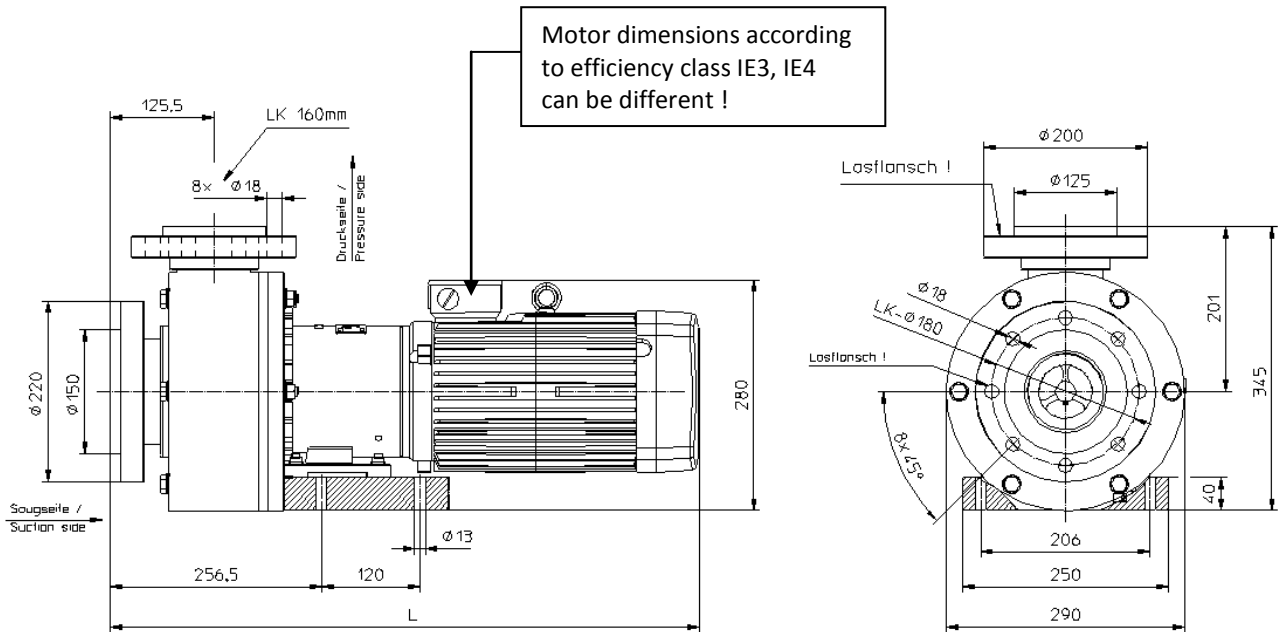
4,0kW / 5,5kW

1450 or 1750 rpm [4-pol.]

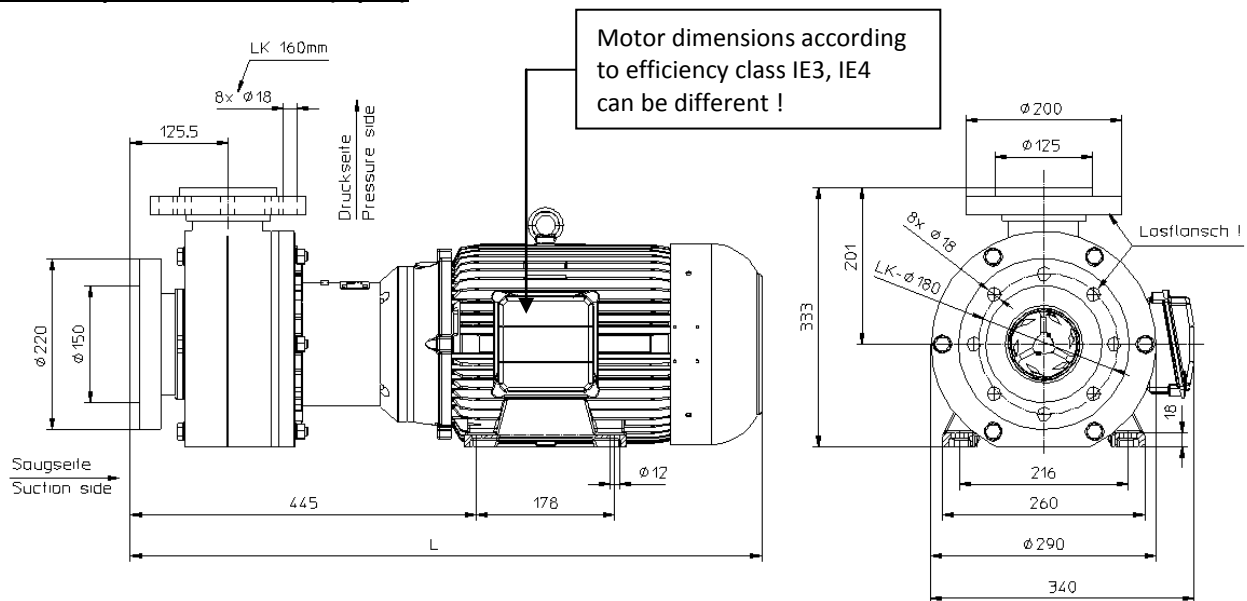


### Dimensional drawings [mm]

#### Motor output 4,0kW IE2 + IE3 (4-pol.)



#### Motor output 5,5kW IE2 + IE3 (4-pol.)



Motor dimensions can be different ! ● Subject to technical alterations !

# DATASHEET

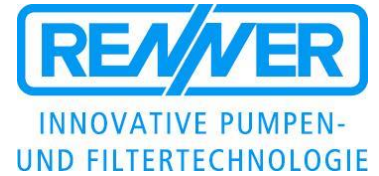
## Magnetically coupled pump

### RM 5 – 13/1000

Motor output

4,0kW / 5,5kW

1450 or 1750 rpm [4-pol.]

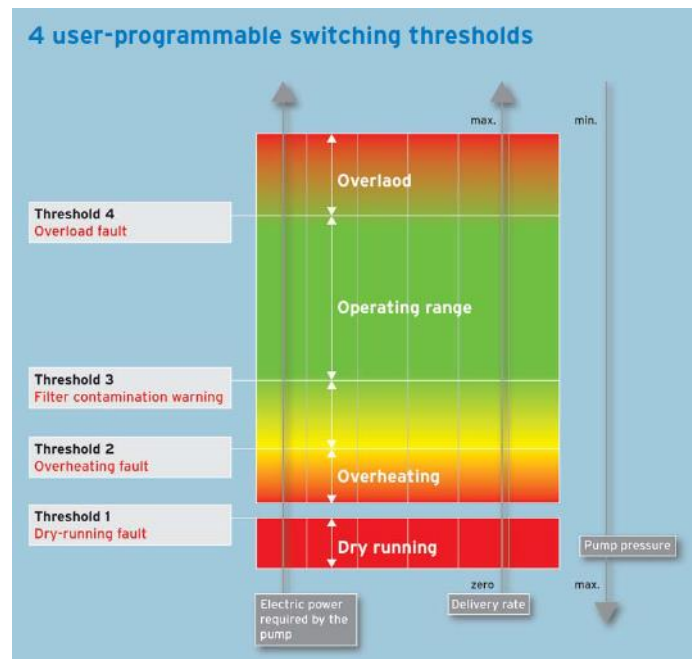


Monitor and protect your pump and your process !

Electronic process monitoring -> RPR-Control



- Monitoring the filter fouling
- Dry running
- Overheating
- Overload



Subject to technical alterations !

