

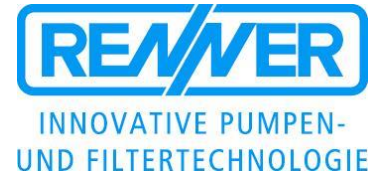
DATASHEET

Magnetically coupled pump

RM 5 – 35/1200

Motor output

11,0kW / 15,0kW
2900 or 3450 rpm [2-pol.]



Magnetically coupled, centrifugal pumps, single-stage, horizontal, non self-priming, made in monobloc design.

				RM5 - 35/1200			
Motor output		[kW]		11,0		15,0	
Rated current @ 400V 50Hz 3ph.		[A]		19,1		26,0	
Head max.		[mWS]		36		36	
Capacity max.		[l/min.]		1200 [72 m³/h]		1400 [84 m³/h]	
Density max. @ Qmax		[g/cm³]		1,0		1,35	
Length „L“	IE2	IE3	[mm]	771	771	815	815

Materials:



Technical data

Medium-temperature max.	PP PVDF	80 °C 95 °C	<h3>Flow curves RM5 - 35/1200</h3> <p>Speed: 2900 rpm @ 50Hz or 3450 rpm @ 60Hz</p> <p>Values based on water at 20 °C (68 °F) / Measured value +/- 10%</p> <p>Subject to technical alterations !</p>
System-pressure max.	PP PVDF	6,0 bar 6,0 bar	
Viscosity	< 160 Pa s		
Electrical motor	3-ph. motors, 50 and 60Hz, IE2, IE3 or IE4 Protection IP55, Isolationclass F , Chemical resistant 2K- painting RAL5011		
Options	<i>Thermal protection, other voltages / frequencies, UL, CSA, Special paintings and colors</i>		

DATASHEET

Magnetically coupled pump

RM 5 – 35/1200

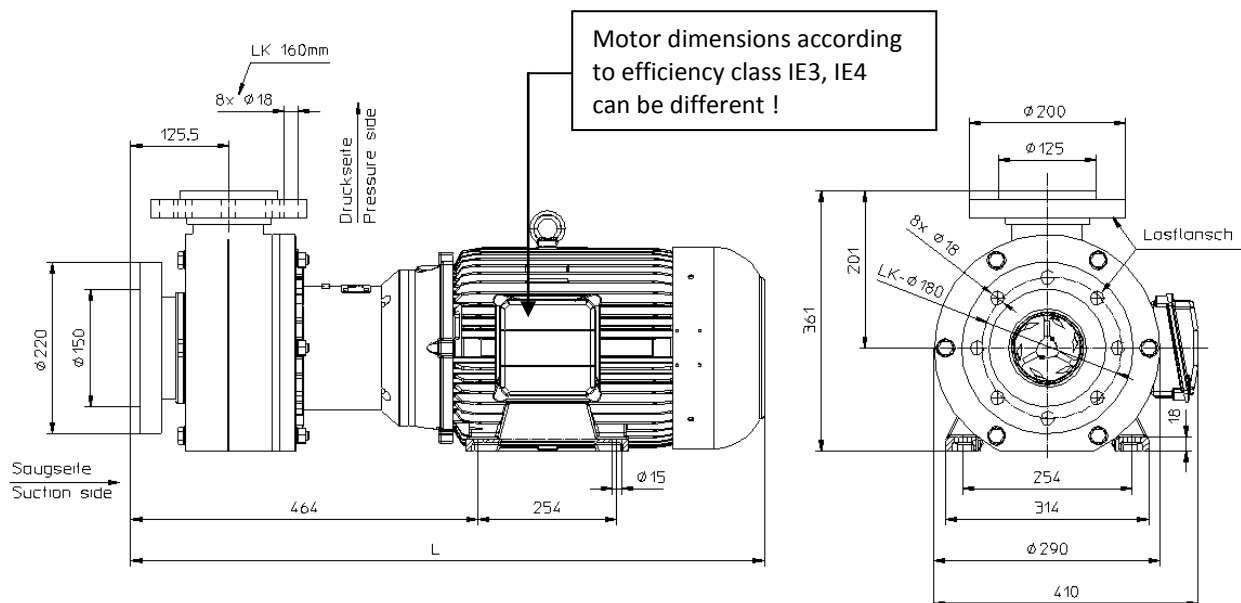
Motor output

11,0kW / 15,0kW
2900 or 3450 rpm [2-pol.]



Dimensional drawings [mm]

Motor output 11,0kW – 15,0kW IE2 + IE3



Motor dimensions can be different ! • Subject to technical alterations !

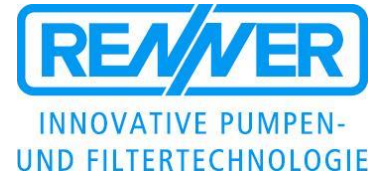
DATASHEET

Magnetically coupled pump

RM 5 – 35/1200

Motor output

11,0kW / 15,0kW
2900 or 3450 rpm [2-pol.]

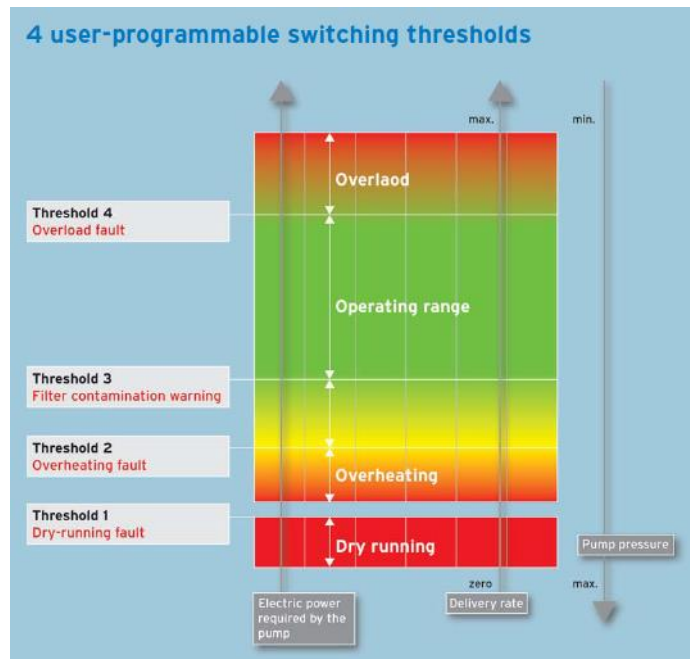


Monitor and protect your pump and your process !

Electronic process monitoring -> RPR-Control



- Monitoring the filter fouling
- Dry running
- Overheating
- Overload



Subject to technical alterations !

