

DATASHEET

Magnetically coupled pump

RM 5 – 45/1000

Motor output

11,0kW / 15,0kW
2900 or 3450 rpm [2-pol.]



Magnetically coupled, centrifugal pumps, single-stage, horizontal, non self-priming, made in monobloc design.

| | | | | RM5 - 45/1000 | | | |
|--------------------------------|-----|----------|------|-----------------|-----|------------------|-----|
| Motor output | | [kW] | | 11,0 | | 15,0 | |
| Rated current @ 400V 50Hz 3ph. | | [A] | | 19,1 | | 26,0 | |
| Head max. | | [mWS] | | 45 | | 45 | |
| Capacity max. | | [l/min.] | | 800 [48 m³/h] | | 1200 [72 m³/h] | |
| Density max. @ Qmax | | [g/cm³] | | 1,0 | | 1,1 | |
| Length „L“ | IE2 | IE3 | [mm] | 771 | 771 | 815 | 815 |

Materials:



Technical data

| | | | |
|-------------------------|--|--------------------|--|
| Medium-temperature max. | PP PVDF | 80 °C 95 °C | <h3>Flow curves RM5 - 45/1000</h3> <p>Speed: 2900 rpm @ 50Hz or 3450 rpm @ 60Hz</p> <p>Values based on water at 20 °C (68 °F) / Measured value +/- 10%</p> <p>Subject to technical alterations !</p> |
| System-pressure max. | PP PVDF | 6,0 bar 6,0 bar | |
| Viscosity | < 160 Pa s | | |
| Electrical motor | 3-ph. motors, 50 and 60Hz, IE2, IE3 or IE4 Protection IP55, Isolationclass F , Chemical resistant 2K- painting RAL5011 | | |
| Options | <i>Thermal protection, other voltages / frequencies, UL, CSA, Special paintings and colors</i> | | |

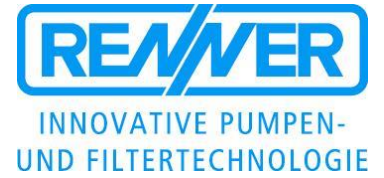
DATASHEET

Magnetically coupled pump

RM 5 – 45/1000

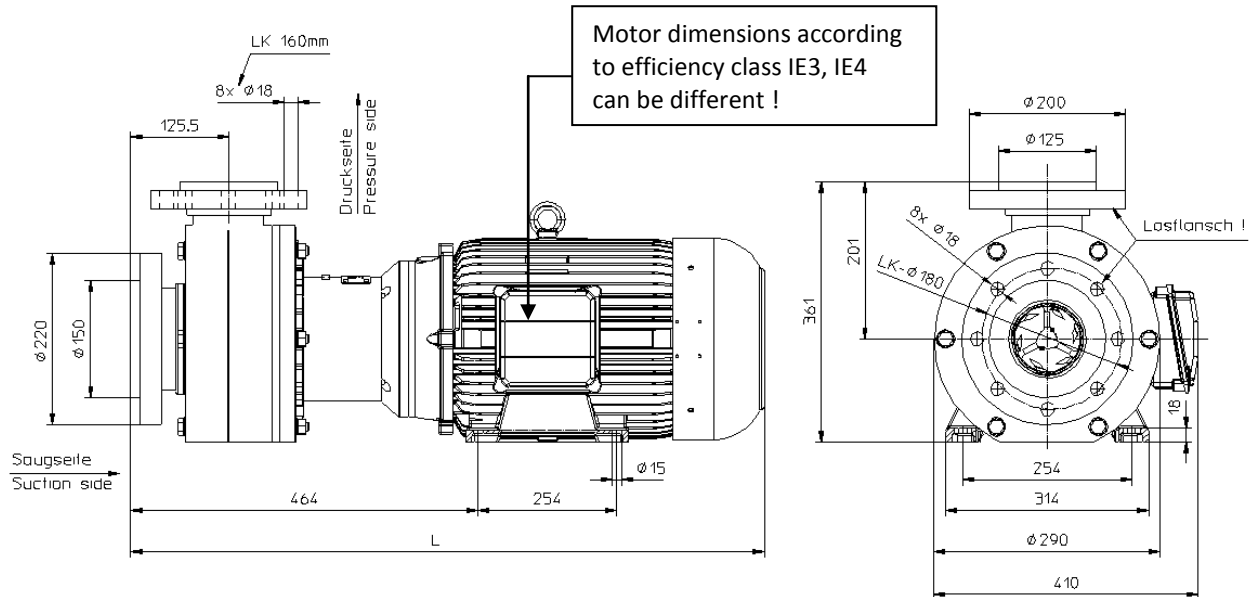
Motor output

11,0kW / 15,0kW
2900 or 3450 rpm [2-pol.]



Dimensional drawings [mm]

Motor output 11,0kW – 15,0kW IE2 + IE3



Motor dimensions can be different ! ● Subject to technical alterations !

DATASHEET

Magnetically coupled pump

RM 5 – 45/1000

Motor output

11,0kW / 15,0kW
2900 or 3450 rpm [2-pol.]

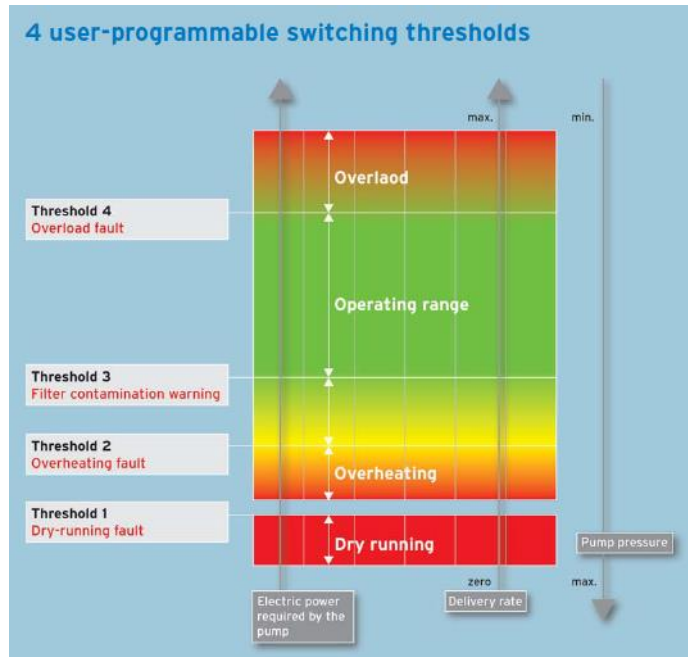


Monitor and protect your pump and your process !

Electronic process monitoring -> RPR-Control



- Monitoring the filter fouling
- Dry running
- Overheating
- Overload



Subject to technical alterations !