

DATASHEET
Magnetically coupled pump
 Plastic coated

Motor output
 1,5kW
 Variable speed



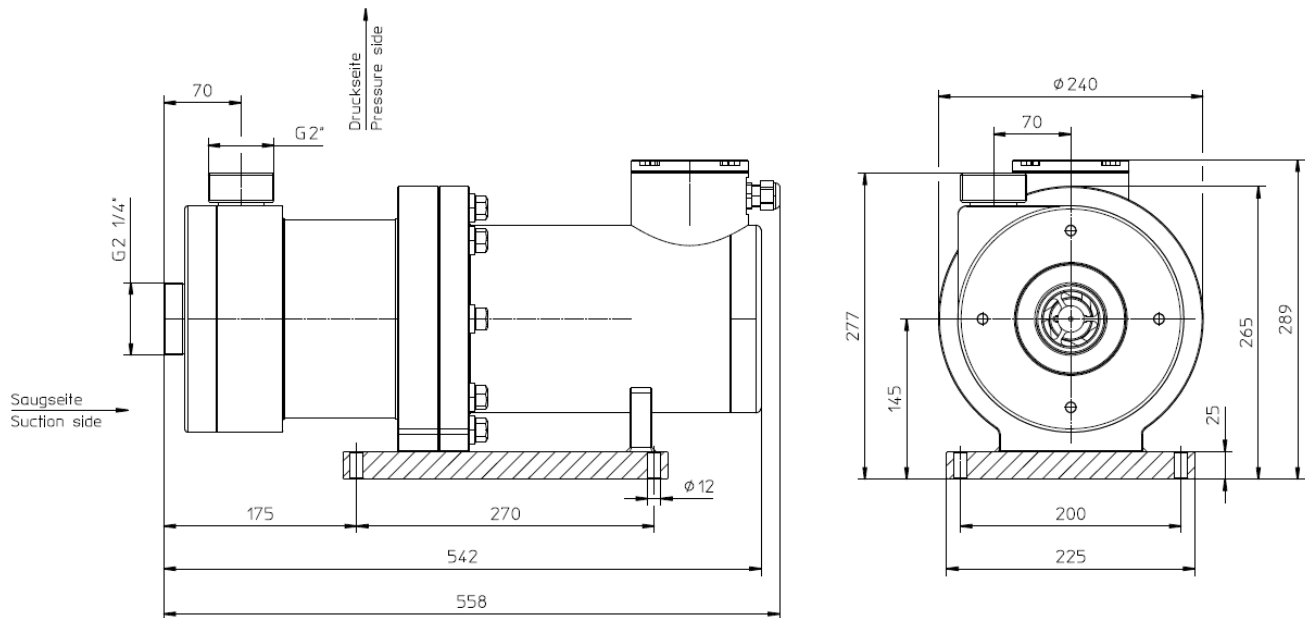
RM-KM 24/340

Magnetically coupled, centrifugal pumps, single-stage, horizontal, non self-priming, made in monobloc design.

		RM-KM Type 24/340
Motor output	[kW]	1,5
Voltage range	[V]	3 / PE AC 320V ... 528V
Frequency range	[Hz]	45 ... 65
Communication module VFD		Standard I/O (optional also with different BUS – module)
Head max.	[mWS]	24
Capacity max.	[l/min.]	280
Density max. @ Qmax **	[g/cm³]	1,1

** For liquids with higher specific gravities all RM-KM - pump are available with smaller impeller diameters !

Dimensional drawings [mm]



Motor dimensions can be different ! • Subject to technical alterations !

DATASHEET
Magnetically coupled pump
Plastic coated

Motor output
 1,5kW
 Variable speed



RM-KM 24/340

Materials:

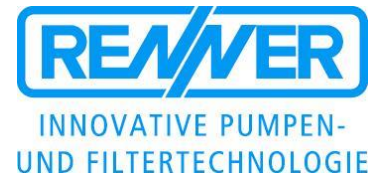


Technical data

Medium-temperature max.	PP PVDF	80 °C 95 °C	<p style="text-align: center;">Variable speed, rated speed n=3000 rpm</p> <p style="text-align: center;">Values based on water at 20 °C (68 °F) / Measured value +/- 10%</p> <p style="text-align: right;">Subject to technical alterations !</p>
System-pressure max.	PP PVDF	6,0 bar 6,0 bar	
Viscosity	< 160 Pa s		
Electrical motor	PM-Synchron IE4 Protection IP65 Isolation class F Plastic-coated		


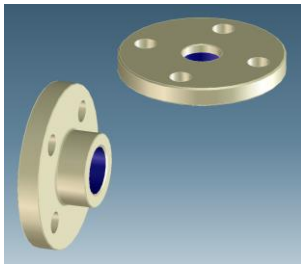
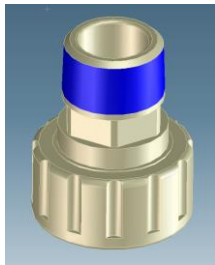
DATASHEET
Magnetically coupled pump
 Plastic coated

Motor output
 1,5kW
 Variable speed



RM-KM 24/340

Accessories / Options

Hose connection	Flange (DIN, ANSI)	NPT - Adapter
 <p>40mm 50mm 63mm</p>	 <p>DN50 PN10 (DIN EN 1092-3) DN65 PN10 (DIN EN 1092-3) 2.5" (ANSI Class 150) 2" (ANSI Class 150)</p>	 <p>NPT (M) 2.5" NPT (M) 3"</p>

Subject to technical alterations !