

DATASHEET

Magnetically coupled pump

Motor output

0,55kW



RM-MF 3 Type 10/120

Variable speed

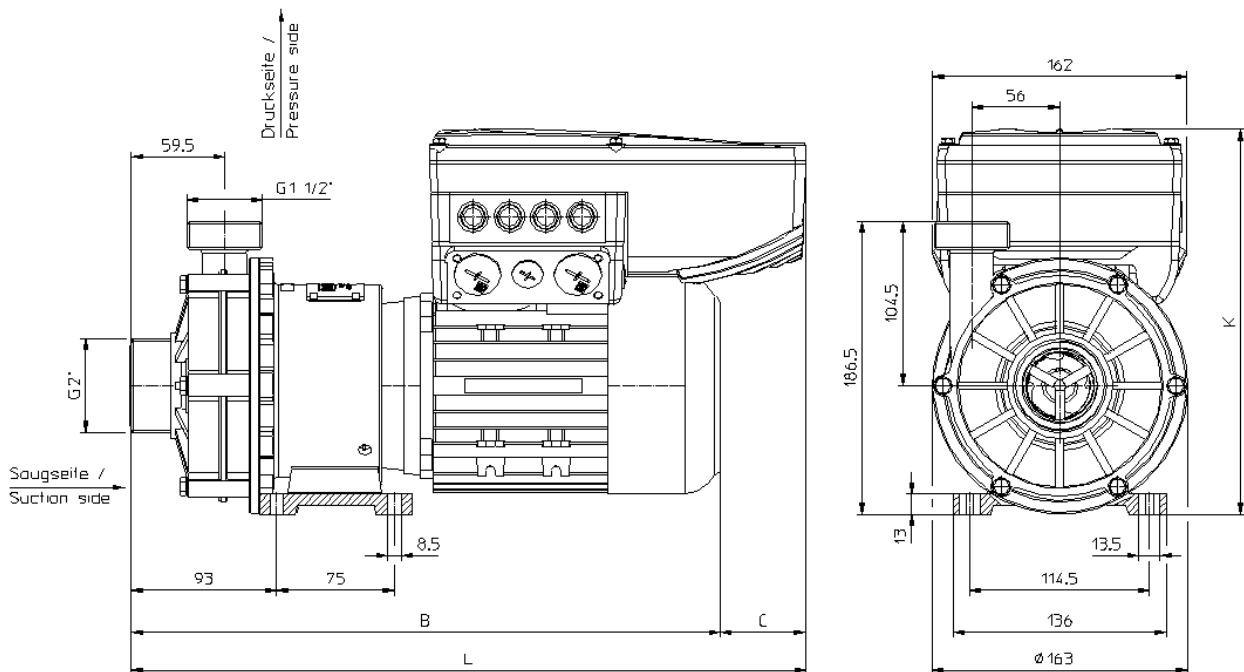
Magnetically coupled, centrifugal pumps with variable speed drive, single-stage, horizontal, non self-priming, made in monobloc design.

		RM-MF 3 Typ 10/120
Motor output	[kW]	0,55
Voltage range	[V]	3 / PE AC 320V ... 528V
Frequency range	[Hz]	45 ... 65
Communication module VFD		Standard I/O (optional also with different BUS – module)
Head max.	[mWS]	14
Capacity max.	[l/min.]	180
Density max. @ Qmax **	[g/cm³]	1,1
Length „L“	[mm]	423
Height „K“	[mm]	236
Length „B“	[mm]	351
Length „C“	[mm]	71

** For liquids with higher specific gravities all MF-pumps are available with more power !

Dimensional drawings [mm]

Motor output 0,55kW MF



Motor dimensions can be different ! ● Subject to technical alterations !



DATASHEET

Magnetically coupled pump

RM-MF 3 Type 10/120

Motor output

0,55kW

Variable speed



Materials:



Technical data

Medium-temperature max.	PP PVDF Edelstahl	80 °C 95 °C 100 °C	<p>Variable speed, rated speed n=3500 rpm</p> <p>Values based on water at 20 °C (68 °F) / Measured value +/- 10%</p> <p>Subject to technical alterations !</p>
System-pressure max.	PP PVDF Edelstahl	2,5 bar 3,5 bar 8,0 bar	
Viscosity	< 160 Pa s		
Electrical motor	3-ph. motors, 50 and 60Hz, IE2, IE3 or IE4 Protection IP55, Isolationclass F , Chemical resistant 2K-painting RAL5011		
Options	<i>Thermal protection, other voltages / frequencies, UL, CSA, Special paintings and colors</i>		

DATASHEET
Magnetically coupled pump

RM-MF 3 Type 10/120


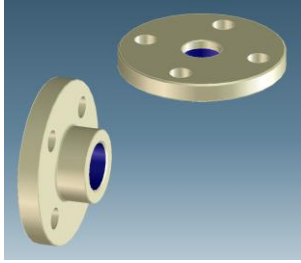
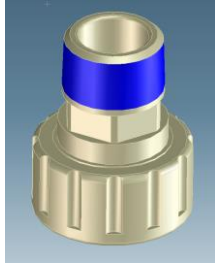
Motor output

0,55kW

Variable speed



Accessories / Options

Hose connection	Flange (DIN, ANSI)	NPT - Adapter
 <p>26mm 32mm 40mm</p>	 <p>DN40 PN10 (DIN EN 1092-3) DN50 PN10 (DIN EN 1092-3) 1.5" (ANSI Class 150) 2" (ANSI Class 150)</p>	 <p>NPT (M) 1" NPT (M) 1.5"</p>

Subject to technical alterations !