

DATASHEET
Magnetically coupled pump
Self-priming

Motor output
 0,55kW / 0,75kW
 2900 or 3450 rpm [2-pol.]



RMB3.1 Type 12/175


Magnetically coupled, centrifugal pumps, single-stage, horizontal, self-priming, made in monobloc design.

			RMB3.1 - 12/175	
		[kW]	0,55	0,75
Motor output		[kW]	0,55	0,75
Rated current @ 400V 50Hz 3ph.		[A]	1,6	1,9
Head max.		[mWS]	13	13
Capacity max.		[l/min.]	180	180
Density max. @ Qmax		[g/cm³]	1,4	1,8
Length „L“	IE2	[mm]	510	530

Materials:



Technical data

Medium-temperature max.	PP PVDF	65 °C 85 °C	<p>Flow curves RMB3.1 - 12/175</p> <p>Speed: 2900 rpm @ 50Hz or 3450 rpm @ 60Hz</p> <p>Values based on water at 20 °C (68 °F) / Measured value +/- 10%</p> <p>Subject to technical alterations !</p>
System-pressure max.	PP PVDF	2,5 bar 3,5 bar	
Viscosity	< 160 Pa s		
Electrical motor	3-ph. motors, 50 and 60Hz, IE2, IE3 or IE4 Protection IP55, Isolationclass F , Chemical resistant 2K- painting RAL5011		
Options	<i>Thermal protection, other voltages / frequencies, UL, CSA, Special paintings and colors</i> 		

DATASHEET
Magnetically coupled pump
Self-priming

RMB3.1 Type 12/175

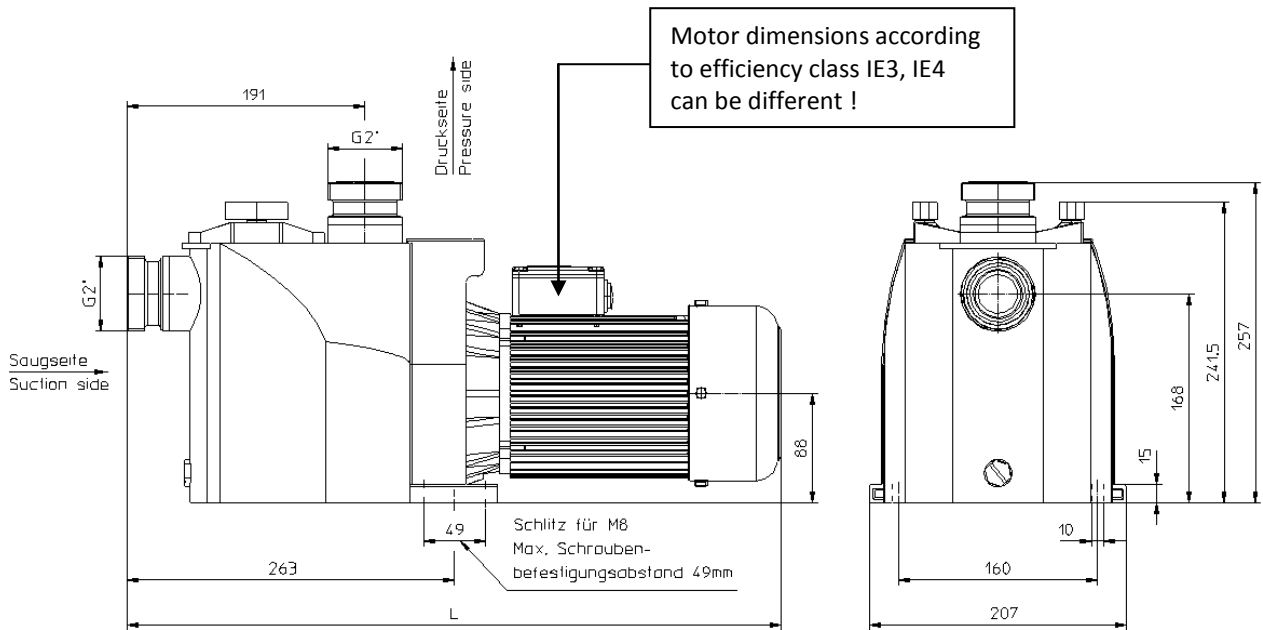
Motor output

0,55kW / 0,75kW
 2900 or 3450 rpm [2-pol.]

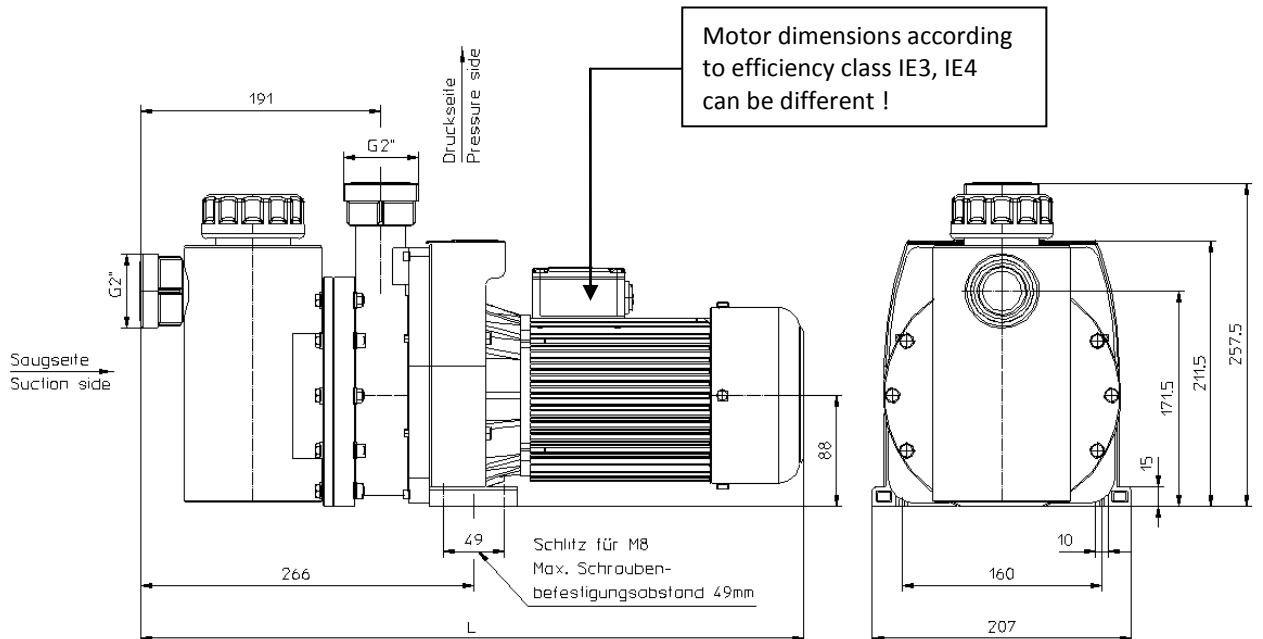


Dimensional drawings [mm]

Motor output 0,55kW – 0,75kW IE2 (Material PP)



Motor output 0,55kW – 0,75kW IE2 (Material PVDF)



Motor dimensions can be different ! • Subject to technical alterations !


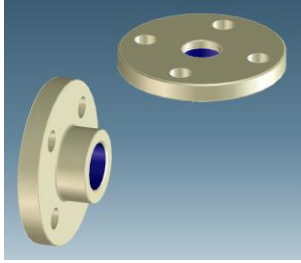
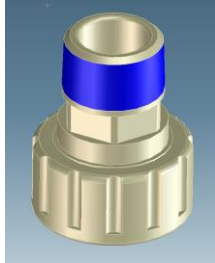
DATASHEET
Magnetically coupled pump
Self-priming

Motor output
 0,55kW / 0,75kW
 2900 or 3450 rpm [2-pol.]



RMB3.1 Type 12/175

Accessories / Options

Hose connection	Flange (DIN, ANSI)	NPT - Adapter
 <p>40mm 50mm</p>	 <p>DN50 PN10 (DIN EN 1092-3) 2" (ANSI Class 150)</p>	 <p>NPT (M) 2.5"</p>

Subject to technical alterations !