

DATASHEET
Side-channel pump
Self-priming

Motor output

0,37kW / 0,55kW / 0,75kW
 2900 rpm [2-pol.]

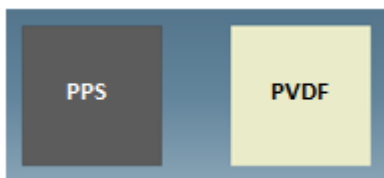


RMS2.1 Type 34/17

Magnetically coupled side-channel pump, 1-stage, horizontal, self-priming, made in monobloc design.

		RMS2.1 - 34/17					
Material		PPS	PVDF	PPS	PVDF	PPS	PVDF
Motor output	[kW]	0,37		0,55		0,75	
Rated current @ 400V 50Hz 3ph.	[A]	1,02		1,6		1,9	
Head max.	[mWS]	38	26	38	26	38	26
Capacity max.	[l/min.]	17	16	17	16	17	16
Density max. @ Qmax	[g/cm³]	1,25	1,5	1,8	2,0	2,0	2,0
Length „L“	IE2	[mm]	381		396		416

Materials:



Technical data

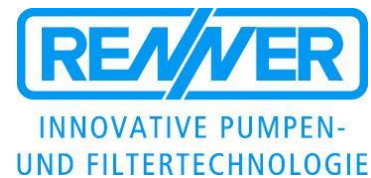
Medium-temperature max.	PPS PVDF	100 °C 80 °C	<p>Flow curves RMS2.1 Type 34/17</p> <p>Speed: 2900 rpm @ 50Hz</p> <p>Values based on water at 20 °C (68 °F) / Measured value +/- 10%</p> <p>Subject to technical alterations !</p>
Max. suction lift	PPS PVDF	7,0 mWC 1,0 mWC	
Viscosity	< 160 Pa s		
Electrical motor	3-ph. motors, 50 and 60Hz, IE2, IE3 or IE4 Protection IP55, Isolationclass F , Chemical resistant 2K- painting RAL5011		
Options	<i>Thermal protection, other voltages / frequencies, UL, CSA, Special paintings and colors</i>		

DATASHEET
Side-channel pump
Self-priming

RMS2.1 Type 34/17

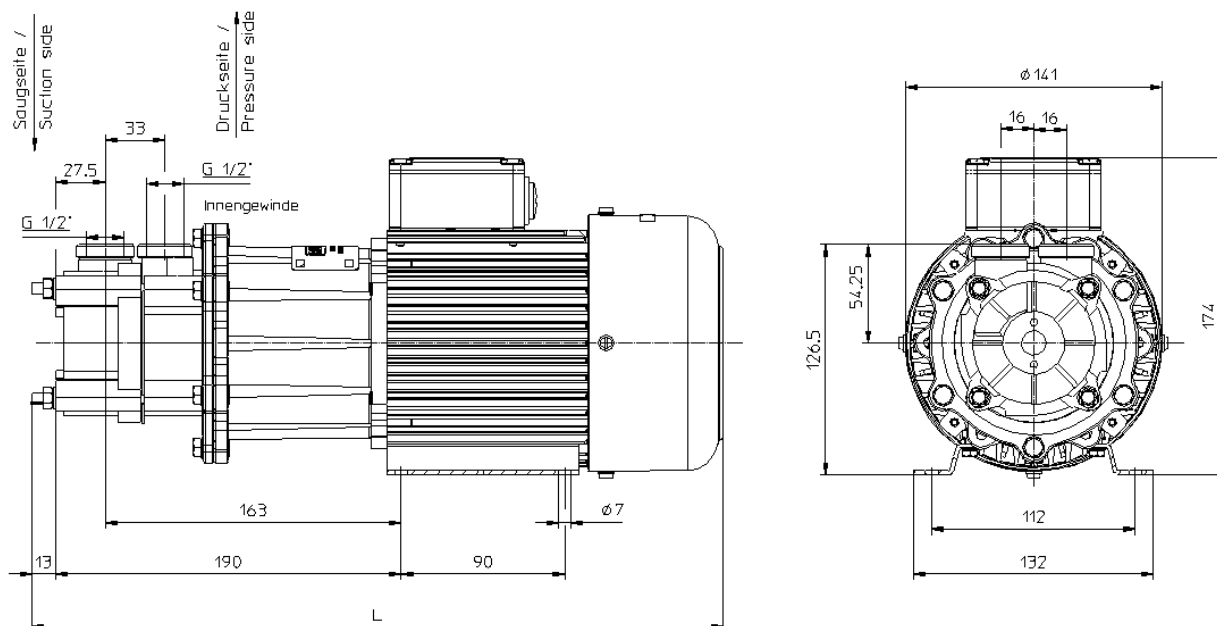
Motor output

0,37kW / 0,55kW / 0,75kW
2900 rpm [2-pol.]



Dimensional drawings [mm]

Motor output 0,37kW – 0,75kW IE2



Motor dimensions can be different ! ● Subject to technical alterations !

