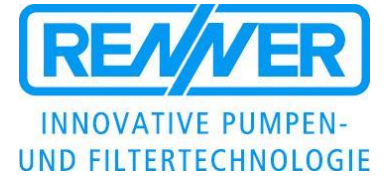


DATASHEET
Side-channel pump
Self-priming

RMS2.1 Type 55/23

Motor output

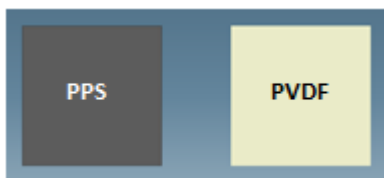
0,55kW / 0,75kW
 3450 rpm [2-pol.]



Magnetically coupled side-channel pump, 1-stage, horizontal, self-priming, made in monobloc design.


		RMS2.1 - 55/23			
Material		PPS	PVDF	PPS	PVDF
Motor output	[kW]	0,55		0,75	
Rated current @ 400V 50Hz 3ph.	[A]	1,6		1,9	
Head max.	[mWS]	55	40	55	40
Capacity max.	[l/min.]	22	20	22	20
Density max. @ Qmax	[g/cm³]	1,1	1,35	1,35	1,8
Length „L“	IE2	[mm]	396		416

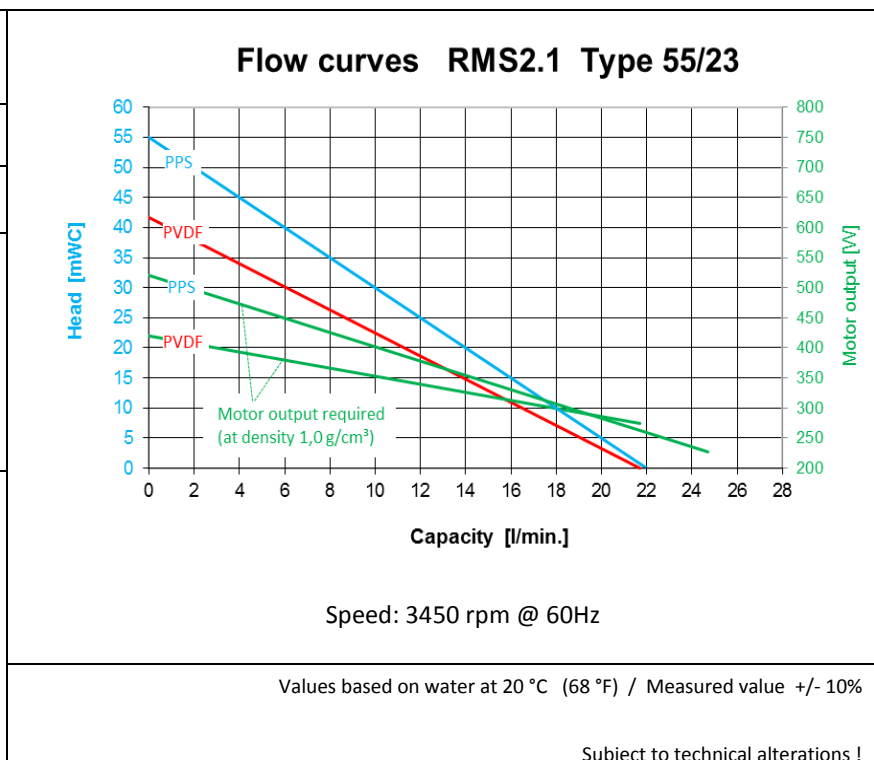
Materials:



Technical data

Only for
 3450 rpm !!

Medium-temperature max.	PPS PVDF	100 °C 80 °C
Max. suction lift	PPS PVDF	7,0 mWC 1,0 mWC
Viscosity	< 160 Pa s	
Electrical motor	3-ph. motors, 50 and 60Hz, IE2, IE3 or IE4 Protection IP55, Isolationclass F , Chemical resistant 2K- painting RAL5011	
Options	<i>Thermal protection, other voltages / frequencies, UL, CSA, Special paintings and colors</i> 	

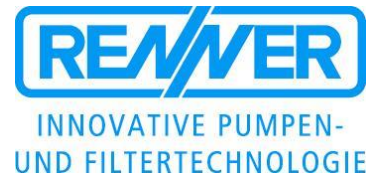


DATASHEET
Side-channel pump
Self-priming

RMS2.1 Type 55/23

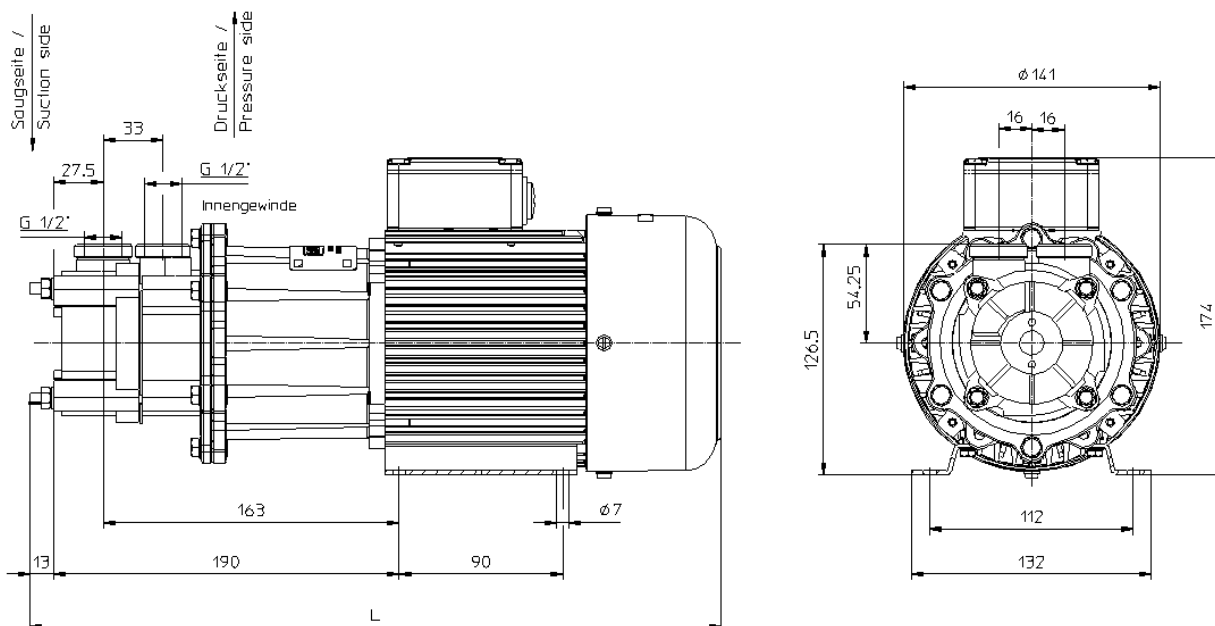
Motor output

0,55kW / 0,75kW
3450 rpm [2-pol.]



Dimensional drawings [mm]

Motor output 0,55kW – 0,75kW IE2



Motor dimensions can be different ! ● Subject to technical alterations !