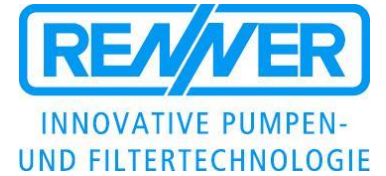


DATASHEET
Side-channel pump
Self-priming

Motor output
 0,37kW
 1450 rpm [4-pol.]

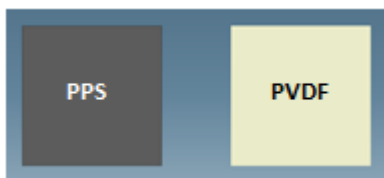


RMS2.1 Type 9/8


Magnetically coupled side-channel pump, 1-stage, horizontal, self-priming, made in monobloc design.

			RMS2.1 - 9/8	
Material			PPS	PVDF
Motor output	[kW]		0,37	
Rated current @ 400V 50Hz 3ph.	[A]		1,21	
Head max.	[mWC]		8	6
Capacity max.	[l/min.]		10	8
Density max. @ Qmax	[g/cm³]		2,0	2,0
Length „L“	IE2	[mm]	390	

Materials:



Technical data

Medium-temperature max.	PPS PVDF	100 °C 80 °C	<p align="center">Flow curves RMS2.1 Type 9/8</p> <p align="center">Speed: 1450 rpm @ 50Hz</p> <p align="center">Values based on water at 20 °C (68 °F) / Measured value +/- 10%</p> <p align="right">Subject to technical alterations !</p>
Max. suction lift	PPS PVDF	3,0 mWC 1,0 mWC	
Viscosity	< 160 Pa s		
Electrical motor	3-ph. motors, 50 and 60Hz, IE2, IE3 or IE4 Protection IP55, Isolationclass F , Chemical resistant 2K- painting RAL5011		
Options	<i>Thermal protection, other voltages / frequencies, UL, CSA, Special paintings and colors</i> 		

DATASHEET
Side-channel pump
Self-priming

RMS2.1 Type 9/8

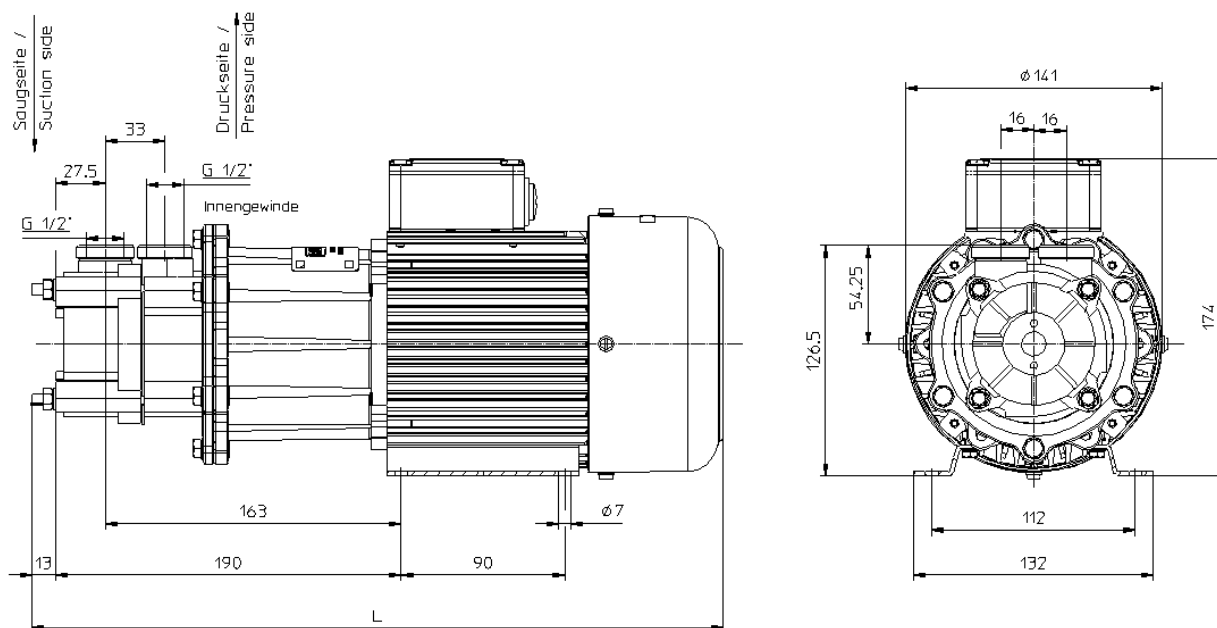
Motor output

0,37kW
1450 rpm [4-pol.]



Dimensional drawings [mm]

Motor output 0,37kW



Motor dimensions can be different ! ● Subject to technical alterations !